



Cyclic homology of Brzeziński's crossed products and of braided Hopf crossed products[☆]

Graciela Carboni^a, Jorge A. Guccione^{b,*}, Juan J. Guccione^b,
Christian Valqui^c

^a *Ciclo Básico Común, Universidad de Buenos Aires, Ciudad Universitaria-Pabellón 3, (C1428EGA) Buenos Aires, Argentina*

^b *Departamento de Matemática, Facultad de Ciencias Exactas y Naturales, Universidad de Buenos Aires, Ciudad Universitaria-Pabellón 1, (C1428EGA) Buenos Aires, Argentina*

^c *Pontificia Universidad Católica del Perú, Instituto de Matemática y Ciencias Afines, Sección Matemáticas, PUCP, Av. Universitaria 1801, San Miguel, Lima 32, Peru*

Received 26 September 2011; accepted 5 September 2012

Available online 2 October 2012

Communicated by Michel Van den Bergh

Abstract

Let k be a field, A a unitary associative k -algebra and V a k -vector space endowed with a distinguished element 1_V . We obtain a mixed complex, simpler than the canonical one, that gives the Hochschild, cyclic, negative and periodic homologies of a crossed product $E := A \#_f V$, in the sense of Brzeziński. We actually work in the more general context of relative cyclic homology. Specifically, we consider a subalgebra K of A that satisfies suitable hypothesis and we find a mixed complex computing the Hochschild, cyclic, negative and periodic homologies of E relative to K . Then, when E is a cleft braided Hopf crossed product, we obtain a simpler mixed complex, that also gives the Hochschild, cyclic, negative and periodic homologies of E .

© 2012 Elsevier Inc. All rights reserved.

MSC: primary 16E40; secondary 16T05

Keywords: Crossed products; Hochschild (co)homology; Cyclic homology

[☆] The research of G. Carboni, J.A. Guccione and J.J. Guccione was supported by UBACYT 095 and PIP 112-200801-00900 (CONICET). The research of C. Valqui was supported by PUCP-DGI-2010-0025 and PUCP-DGI-2011-0206.

* Corresponding author.

E-mail addresses: gcarboni@cbc.uba.ar (G. Carboni), vander@dm.uba.ar (J.A. Guccione), jjgucci@dm.uba.ar (J.J. Guccione), cvalqui@pucp.edu.pe (C. Valqui).

Introduction

The problem of developing tools to compute the cyclic homology of smash product algebras $A\#k[G]$, where G is a group, was considered in [11,22,15]. For instance, in the first paper the authors obtained a spectral sequence converging to the cyclic homology of $A\#k[G]$. In [15], this result was derived from the theory of paracyclic modules and cylindrical modules developed by the authors. The main tool for this computation was a version for cylindrical modules of the Eilenberg–Zilber theorem. In [1] this theory was used to obtain a Feigin–Tsygan type spectral sequence for smash products $A\#H$, of a Hopf algebra H with an H -module algebra A .

It is natural to try to extend this result to the general crossed products $A\#_f H$ introduced in [3,10], and to more general algebras such as Hopf Galois extensions. In [18] the A -relative cyclic homology of a Galois H extension C/A was studied, and the results obtained were applied to the Hopf crossed products $A\#_f H$, computing the absolute cyclic homology when A is a separable algebra. As far as we know, [20] was the first work dealing with the absolute cyclic homology of a crossed product $A\#_f H$, with A nonseparable and f nontrivial. In that paper the authors derive a Feigin–Tsygan type spectral sequence for crossed products $A\#_f H$, under the hypothesis that H is cocommutative and f takes values in k . Finally, the main results established in [20] were extended in [8] to the general Hopf crossed products $A\#_f H$ introduced in [3,10]. In particular, there were constructed two spectral sequences converging to the cyclic homology of $A\#_f H$. The second one, which is valid under the hypothesis that f takes values in k , generalizes those obtained in [1,20].

Let k be a field. An associative and unital k -algebra E is a *smash product* of two associative and unital algebras A and B if the underlying vector space of E is $A \otimes_k B$, the maps

$$\begin{array}{ccc} A & \longrightarrow & E \\ a & \longmapsto & a \otimes_k 1 \end{array} \quad \text{and} \quad \begin{array}{ccc} A & \longrightarrow & E \\ b & \longmapsto & 1 \otimes_k b \end{array}$$

are morphisms of algebras and $(a \otimes_k 1)(1 \otimes_k b) = a \otimes_k b$ for all $a \in A$ and $b \in B$. Let $R: B \otimes_k A \rightarrow A \otimes_k B$ be the map defined by $R(b \otimes_k a) := (1 \otimes_k b)(a \otimes_k 1)$. It is evident that each smash product E is completely determined by the map R . This justifies the notation $A\#_R B$ for E . A smash product $A\#_R B$ is called *strong* if R is bijective. A different generalization of the results established in [1] was obtained in [24], where a mixed complex was found, simpler than the canonical one, that computes the cyclic homology type groups of a strong smash product algebra. Using this the authors construct a spectral sequence that converges to the cyclic homology of $A\#_R B$. The Hochschild (co)homology of strong smash products was studied in [12].

Let V be a k -vector space endowed with a distinguished element 1 and A an associative and unital k -algebra. We say that an algebra E with underlying vector space $A \otimes_k V$ is one of Brzeziński’s crossed product of A with V if it is associative with unit $1 \otimes_k 1$, the map

$$\begin{array}{ccc} A & \longrightarrow & E \\ a & \longmapsto & a \otimes_k 1, \end{array}$$

is a morphism of algebras and the left A -module structure of $A \otimes_k V$ induced by this map is the canonical one. Brzeziński’s crossed products are a generalization of Hopf crossed products and smash products of algebras (the relation between smash products and Brzeziński’s crossed products of algebras is analogous to the relation between group smash products and group crossed products). The goal of this work is to present a mixed complex $(\widehat{X}_*, \widehat{d}_*, \widehat{D}_*)$, simpler than the canonical one, that gives the Hochschild, cyclic, negative and periodic homologies

of Brzeziński's crossed products of A with V . This result generalizes the main results of [8, Section 2] and [24]. Moreover in this case our complex also works when the smash product is not strong. We actually work in the more general context of relative cyclic homology. Specifically, we consider a subalgebra K of A that satisfies suitable conditions, and we find a mixed complex computing the Hochschild, cyclic, negative and periodic homology groups of E relative to K (which we simply call the Hochschild, cyclic, negative and periodic homology groups of the K -algebra E). Of course, when K is separable, this gives the absolute homologies. Our main result is [Theorem 6.2](#), in which we prove that $(\widehat{X}_*, \widehat{d}_*, \widehat{D}_*)$ is homotopically equivalent to the canonical normalized mixed complex of E . As an application we obtain four spectral sequences converging to the cyclic homology of the K -algebra E . The first one generalizes those given in [8, Section 3.1] and [24, Theorem 4.7], and the third one those of [1,20] and [8, Section 3.2]. As far as we know, the results of the core of this paper (Sections 3–6) apply to all the up to date existent types of crossed products of algebras with braided Hopf algebras, in particular to the underlying algebras of the crossed product bialgebras considered in [2] and to the L - R smash products introduced in [4,5]. In Sections 7–10 we consider the cleft braided Hopf crossed products introduced in [13]. The main result of these sections is that when E is a cleft braided Hopf crossed product, $(\widehat{X}_*, \widehat{d}_*, \widehat{D}_*)$ is isomorphic to a simpler mixed complex $(\overline{X}_*, \overline{d}_*, \overline{D}_*)$.

Our method of proof is different from that used in [15,1,20,24], since they are based on the results obtained in [12] and the perturbation lemma instead of a generalization of the Eilenberg–Zilber theorem.

Finally we want to point out that in this paper we also study the Hochschild homology and cohomology of E with coefficients in an arbitrary E -bimodule M . More precisely, we obtain complexes, simpler than the canonical ones, that compute the Hochschild homology and cohomology of E with coefficients in M . Using them we get spectral sequences that generalize the Hochschild–Serre spectral sequences [17], and we get some result about the cup product of the Hochschild cohomology of E and the cap product of the Hochschild homology of E with coefficients in M .

1. Preliminaries

In this article we work in the category of vector spaces over a field k . Hence we assume implicitly that all the maps are k -linear maps. The tensor product over k is denoted by \otimes_k . Given a k -vector space V and $n \geq 1$, sometimes we let $V^{\otimes_k n}$ denote the n -fold tensor product $V \otimes_k \cdots \otimes_k V$. Given k -vector spaces U, V, W and a map $f: V \rightarrow W$ we write $U \otimes_k f$ for $\text{id}_U \otimes_k f$ and $f \otimes_k U$ for $f \otimes_k \text{id}_U$. We assume that the reader is familiar with the notions of algebra, coalgebra, module and comodule. Unless otherwise explicitly established we assume that the algebras are associative unitary and the coalgebras are coassociative counitary. Given an algebra A and a coalgebra C , we let

$$\mu: A \otimes_k A \rightarrow A, \quad \eta: k \rightarrow A, \quad \Delta: C \rightarrow C \otimes_k C \quad \text{and} \quad \epsilon: C \rightarrow k$$

denote the multiplication, the unit, the comultiplication and the counit, respectively, specified with a subscript if necessary. Moreover, given k -vector spaces V and W , we let $\tau: V \otimes_k W \rightarrow W \otimes_k V$ denote the flip $\tau(v \otimes_k w) = w \otimes_k v$.

In this article we use the nowadays well known graphic calculus for monoidal and braided categories. As usual, morphisms will be composed from top to bottom and tensor products will

be represented by horizontal concatenation in the corresponding order. The identity map of a k -vector space will be represented by a vertical line, and the flip by the diagram

$$\times \cdot \tag{1.1}$$

Given an algebra A , the diagrams

$$\Upsilon, \uparrow, \lrcorner \text{ and } \lrcorner \tag{1.2}$$

stand for the multiplication map, the unit, the action of A on a left A -module and the action of A on a right A -module, respectively. Given a coalgebra C , the comultiplication, the counit, the coaction of C on a right C -comodule and the coaction of C on a left C -comodule will be represented by the diagrams

$$\lrcorner, \downarrow, \lrcorner \text{ and } \lrcorner, \tag{1.3}$$

respectively.

Consider a k -linear map $c: V \otimes_k W \rightarrow W \otimes_k V$. If V is an algebra, then we say that c is compatible with the algebra structure of V if

$$c \circ (\eta \otimes_k W) = W \otimes_k \eta \quad \text{and} \quad c \circ (\mu \otimes_k W) = (W \otimes_k \mu) \circ (c \otimes_k V) \circ (V \otimes_k c).$$

If V is a coalgebra, then we say that c is compatible with the coalgebra structure of V if

$$(W \otimes_k \epsilon) \circ c = \epsilon \otimes_k W \quad \text{and} \quad (W \otimes_k \Delta) \circ c = (c \otimes_k V) \circ (V \otimes_k c) \circ (\Delta \otimes_k W).$$

Finally, if W is an algebra or a coalgebra, then we introduce the notion that c is compatible with the structure of W in the obvious way.

1.1. Brzeziński’s crossed products

In this subsection we recall a very general definition of crossed product, introduced in [7], and its basic properties. For the proofs we refer the reader to [7,2]. Throughout this paper A is a unitary algebra and V is a k -vector space equipped with a distinguished element $1 \in V$.

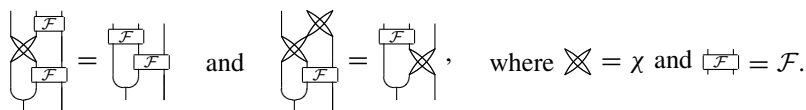
Definition 1.1. Given maps $\chi: V \otimes_k A \rightarrow A \otimes_k V$ and $\mathcal{F}: V \otimes_k V \rightarrow A \otimes_k V$, we let $A\#V$ denote the algebra (in general nonassociative and nonunitary) whose underlying k -vector space is $A \otimes_k V$ and whose multiplication map is given by

$$\mu_{A\#V} := (\mu_A \otimes_k V) \circ (\mu_A \otimes_k \mathcal{F}) \circ (A \otimes_k \chi \otimes_k V).$$

The element $a \otimes_k v$ of $A\#V$ will usually be written as $a\#v$. The algebra $A\#V$ is called a *crossed product* if it is associative with $1\#1$ as identity.

Definition 1.2. Let $\chi: V \otimes_k A \rightarrow A \otimes_k V$ and $\mathcal{F}: V \otimes_k V \rightarrow A \otimes_k V$ be maps.

- (1) χ is a *twisting map* if it is compatible with the algebra structure of A and $\chi(1 \otimes_k a) = a \otimes_k 1$.
- (2) \mathcal{F} is *normal* if $\mathcal{F}(1 \otimes_k v) = \mathcal{F}(v \otimes_k 1) = 1 \otimes_k v$.
- (3) \mathcal{F} is a *cocycle* that satisfies the *twisted module condition* if



More precisely, the first equality says that \mathcal{F} is a cocycle and the second one says that \mathcal{F} satisfies the twisted module condition.

Theorem 1.3 (Brzeziński). *The algebra $A\#V$ is a crossed product if and only if χ is a twisting map and \mathcal{F} is a normal cocycle that satisfies the twisted module condition.*

Note that the multiplication of a crossed product has the following property:

$$(a\#1)(b\#v) = ab\#v. \quad (1.4)$$

In particular $a \mapsto a\#1$ is an injective morphism of k -algebras. We consider A as a subalgebra of $A\#V$ via this map. Conversely, each k -algebra with underlying vector space $A \otimes_k V$, whose multiplication map satisfies (1.4), is a crossed product. The twisting map χ and the cocycle \mathcal{F} are given by

$$\chi(v \otimes_k a) = (1\#v)(a\#1) \quad \text{and} \quad \mathcal{F}(v \otimes_k w) = (1\#v)(1\#w).$$

Definition 1.4. Let $A\#V$ be a crossed product with associated twisting map χ and cocycle \mathcal{F} , and let R be a subalgebra of A . We say that:

- R is *stable under χ* if $\chi(V \otimes_k R) \subseteq R \otimes_k V$;
- \mathcal{F} *takes its values in $R \otimes_k V$* if $\mathcal{F}(V \otimes_k V) \subseteq R \otimes_k V$.

1.2. Braided Hopf crossed products

Braided bialgebras and braided Hopf algebras were introduced by Majid (see his survey [21]). In this subsection, we make a quick review of this subject following the intrinsic presentation given by Takeuchi in [23]. Then, we review the concept of braided Hopf crossed products introduced in [13]. Let V be a k -vector space. Recall that a map $c \in \text{End}_k(V \otimes_k^2 V)$ is called a braiding operator of V if it satisfies the equality

$$(c \otimes_k V) \circ (V \otimes_k c) \circ (c \otimes_k V) = (V \otimes_k c) \circ (c \otimes_k V) \circ (V \otimes_k c).$$

Definition 1.5. A *braided bialgebra* is a k -vector space H , endowed with an algebra structure, a coalgebra structure and a bijective braiding operator c of H , called the braid of H , such that: c is compatible with the algebra and coalgebra structures of H , η is a coalgebra morphism, ϵ is an algebra morphism and

$$\Delta \circ \mu = (\mu \otimes_k \mu) \circ (H \otimes_k c \otimes_k H) \circ (\Delta \otimes_k \Delta).$$

Moreover, if there exists a map $S: H \rightarrow H$, which is the convolution inverse of the identity map, then we say that H is a *braided Hopf algebra* and we call S the *antipode* of H .

Usually H denotes a braided bialgebra, understanding the structure maps, and c denotes its braid.

Definition 1.6. Let H be a braided bialgebra and A an algebra. A *transposition of H on A* is a bijective twisting map $s: H \otimes_k A \rightarrow A \otimes_k H$ which is compatible with the bialgebra structure of H . That is, s is a twisting map that satisfies the equation

$$(s \otimes_k H) \circ (H \otimes_k s) \circ (c \otimes_k A) = (A \otimes_k c) \circ (s \otimes_k H) \circ (H \otimes_k s)$$

(compatibility of s with c) and it is compatible with the algebra and coalgebra structures of H .

Remark 1.7. It is easy to see that if s is a transposition then s^{-1} is compatible with the algebra and coalgebra structures of H , with the algebra structure of A and that

$$(H \otimes_k s^{-1}) \circ (s^{-1} \otimes_k H) \circ (A \otimes_k c^{-1}) = (c^{-1} \otimes_k H) \circ (H \otimes_k s^{-1}) \circ (s^{-1} \otimes_k H).$$

Definition 1.8. Let $s: H \otimes_k A \rightarrow A \otimes_k H$ be a transposition. A weak s -action of H on A is a map $\rho: H \otimes_k A \rightarrow A$, that satisfies:

- (1) $\rho \circ (H \otimes_k \mu) = \mu \circ (\rho \otimes_k \rho) \circ (H \otimes_k s \otimes_k A) \circ (\Delta \otimes_k A \otimes_k A)$,
- (2) $\rho(h \otimes_k 1) = \epsilon(h)1$, for all $h \in H$,
- (3) $\rho(1 \otimes_k a) = a$, for all $a \in A$,
- (4) $s \circ (H \otimes_k \rho) = (\rho \otimes_k H) \circ (H \otimes_k s) \circ (c \otimes_k A)$.

An s -action is a weak s -action which satisfies $\rho \circ (H \otimes_k \rho) = \rho \circ (\mu \otimes_k A)$.

Remark 1.9. It is easy to see that if ρ is a weak s -action of H on A , then

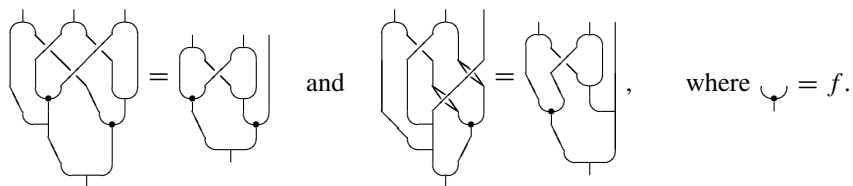
$$(H \otimes_k \rho) \circ (c^{-1} \otimes_k A) \circ (H \otimes_k s^{-1}) = s^{-1} \circ (\rho \otimes_k H).$$

We will use the diagrams

$$\times, \times, \times, \times \text{ and } \cup \tag{1.5}$$

to denote the braid c of H , its inverse c^{-1} , the transposition s , its inverse s^{-1} , and the weak s -action ρ , respectively.

Definition 1.10. Let $s: H \otimes_k A \rightarrow A \otimes_k H$ be a transposition, $\rho: H \otimes_k A \rightarrow A$ a weak s -action and $f: H \otimes_k H \rightarrow A$ a k -linear map. We say that f is normal if $f(1 \otimes_k x) = f(x \otimes_k 1) = \epsilon(x)$ for all $x \in H$, and that f is a cocycle that satisfies the twisted module condition if



More precisely, the first equality is the cocycle condition and the second one is the twisted module condition. Finally, we say that f is compatible with s if

$$(f \otimes_k H) \circ (H \otimes_k c) \circ (c \otimes_k H) = s \circ (H \otimes_k f).$$

Definition 1.11. Let $s: H \otimes_k A \rightarrow A \otimes_k H$ be a transposition, $\rho: H \otimes_k A \rightarrow A$ a weak s -action, $f: H \otimes_k H \rightarrow A$ a normal cocycle, compatible with s , satisfying the twisted module condition, and R a subalgebra of A . We say that a R is stable under s and ρ if $s(H \otimes_k R) \subseteq R \otimes_k H$ and $\rho(H \otimes_k R) \subseteq R$, and we say that f takes its values in R if $f(H \otimes_k H) \subseteq R$.

Let H be a bialgebra, A an algebra, $s: H \otimes_k A \rightarrow A \otimes_k H$ a transposition, $\rho: H \otimes_k A \rightarrow A$ a weak s -action and $f: H \otimes_k H \rightarrow A$ a normal cocycle, compatible with s , that satisfies the

twisted module condition. Let $\chi: H \otimes_k A \rightarrow A \otimes_k H$ and $\mathcal{F}: H \otimes_k H \rightarrow A \otimes_k H$ be the maps defined by

$$\begin{aligned} \chi &:= (\rho \otimes_k H) \circ (H \otimes_k s) \circ (\Delta \otimes_k A) \quad \text{and} \\ \mathcal{F} &:= (f \otimes_k \mu) \circ (H \otimes_k c \otimes_k H) \circ (\Delta \otimes_k \Delta). \end{aligned}$$

In [13, Section 9] it was proven that χ is a twisting map and \mathcal{F} is a normal cocycle that satisfies the twisted module condition.

Let R be a subalgebra of A . It is evident that if R is stable under s and ρ , then it is also stable under χ , and that if f takes its values in R , then \mathcal{F} takes its values in $R \otimes_k H$.

Definition 1.12. The *braided Hopf crossed product* $A\#_f H$ associated with (s, ρ, f) is Brzeziński’s crossed product associated with χ and \mathcal{F} .

Let $H \otimes_c H$ be the coalgebra with underlying space $H \otimes_k H$, comultiplication map $\Delta_{H \otimes_c H} := (H \otimes_k c \otimes_k H) \circ (\Delta_H \otimes_k \Delta_H)$ and counit $\epsilon_{H \otimes_c H} := \epsilon_H \otimes_k \epsilon_H$. An important class of braided Hopf crossed products are those where H is a braided Hopf algebra and whose cocycle $f: H \otimes_c H \rightarrow A$ is convolution invertible. They are named cleft. In [13, Section 10] it was proven that E is cleft if and only if the map $\gamma: H \rightarrow E$, defined by $\gamma(h) = 1\#h$, is convolution invertible. Moreover, in this case,

$$\gamma^{-1} = (f^{-1} \otimes_k H) \circ (S \otimes_k H \otimes_k S) \circ (H \otimes_k c) \circ (c \otimes_k H) \circ (\Delta_H \otimes_k H) \circ \Delta_H.$$

1.3. Comodule algebras

Definition 1.13. Let $s: H \otimes_k A \rightarrow A \otimes_k H$ be a transposition. Assume that A is a right H -comodule with coaction ν . We say that (A, s) is a *right H -comodule algebra* if and only if

- (1) $(\nu \otimes_k H) \circ s = (A \otimes_k c) \circ (s \otimes_k H) \circ (H \otimes_k \nu)$,
- (2) $(\mu_A \otimes_k \mu_H) \circ (A \otimes_k s \otimes_k H) \circ (\nu \otimes_k \nu) = \nu \circ \mu_A$,
- (3) $\nu(1) = 1 \otimes_k 1$.

Let (A, s) and (A', s') be H -comodule algebras. We say that a map $f: A \rightarrow A'$ is a *morphism of H -comodule algebras* from (A, s) to (A', s') , if it is a morphism of algebras, a morphism of H -comodules and $s' \circ (H \otimes_k f) = (f \otimes_k H) \circ s$.

Example 1.14. If $E = A\#_f H$ is a braided Hopf crossed product, then the map $\widehat{s}: H \otimes_k E \rightarrow E \otimes_k H$ defined by $\widehat{s} := (A \otimes_k c) \circ (s \otimes_k H)$ is a transposition, and (E, \widehat{s}) , endowed with the comultiplication $\nu: E \rightarrow E \otimes_k H$, defined by $\nu := A \otimes_k \Delta_H$, is an H -braided comodule algebra. In particular (H, c) is an H -braided comodule algebra with comultiplication Δ_H . Moreover the map $\gamma: H \rightarrow E$ is a morphism of H -comodule algebras from (H, c) to (E, \widehat{s}) .

Remark 1.15. The maps \widehat{s} and \widehat{s}^{-1} will be represented by the same diagrams as the ones introduced in (1.5) for s and s^{-1} , respectively.

1.4. Mixed complexes

In this subsection we recall briefly the notion of mixed complex. For more details about this concept we refer the reader to [19,6].

A mixed complex (X, b, B) is a graded k -vector space $(X_n)_{n \geq 0}$, endowed with morphisms $b: X_n \rightarrow X_{n-1}$ and $B: X_n \rightarrow X_{n+1}$, such that

$$b \circ b = 0, \quad B \circ B = 0 \quad \text{and} \quad B \circ b + b \circ B = 0.$$

A morphism of mixed complexes $f: (X, b, B) \rightarrow (Y, d, D)$ is a family of maps $f: X_n \rightarrow Y_n$, such that $d \circ f = f \circ b$ and $D \circ f = f \circ B$. Let u be a degree 2 variable. A mixed complex $\mathcal{X} = (X, b, B)$ determines a double complex

$$\text{BP}(\mathcal{X}) = \begin{array}{ccccccc} & & \vdots & & \vdots & & \vdots & & \vdots & & \\ & & \downarrow b & & \downarrow b & & \downarrow b & & \downarrow b & & \\ \cdots & \xleftarrow{B} & X_{3u^{-1}} & \xleftarrow{B} & X_{2u^0} & \xleftarrow{B} & X_{1u} & \xleftarrow{B} & X_{0u^2} & & \\ & & \downarrow b & & \downarrow b & & \downarrow b & & & & \\ \cdots & \xleftarrow{B} & X_{2u^{-1}} & \xleftarrow{B} & X_{1u^0} & \xleftarrow{B} & X_{0u} & & & & \\ & & \downarrow b & & \downarrow b & & & & & & \\ \cdots & \xleftarrow{B} & X_{1u^{-1}} & \xleftarrow{B} & X_{0u^0} & & & & & & \\ & & \downarrow b & & & & & & & & \\ \cdots & \xleftarrow{B} & X_{0u^{-1}} & & & & & & & & \end{array}$$

where $b(xu^i) := b(x)u^i$ and $B(xu^i) := B(x)u^{i-1}$. By deleting the positively numbered columns we obtain a subcomplex $\text{BN}(\mathcal{X})$ of $\text{BP}(\mathcal{X})$. Let $\text{BN}'(\mathcal{X})$ be the kernel of the canonical surjection from $\text{BN}(\mathcal{X})$ to (X, b) . The quotient double complex $\text{BP}(\mathcal{X})/\text{BN}'(\mathcal{X})$ is denoted by $\text{BC}(\mathcal{X})$. The homology groups $\text{HC}_*(\mathcal{X})$, $\text{HN}_*(\mathcal{X})$ and $\text{HP}_*(\mathcal{X})$, of the total complexes of $\text{BC}(\mathcal{X})$, $\text{BN}(\mathcal{X})$ and $\text{BP}(\mathcal{X})$ respectively, are called the cyclic, negative and periodic homology groups of \mathcal{X} . The homology $\text{HH}_*(\mathcal{X})$, of (X, b) , is called the Hochschild homology of \mathcal{X} . Finally, it is clear that a morphism $f: \mathcal{X} \rightarrow \mathcal{Y}$ of mixed complexes induces a morphism from the double complex $\text{BP}(\mathcal{X})$ to the double complex $\text{BP}(\mathcal{Y})$.

Let C be a k -algebra. If K is a subalgebra of C we will say that C is a K -algebra. Throughout the paper we will use the following notations.

- (1) We set $\overline{C} := C/K$. Moreover, given $c \in C$, we also denote by \overline{c} the class of c in \overline{C} .
- (2) We use the unadorned tensor symbol \otimes to denote the tensor product \otimes_K .
- (3) We write $\overline{C}^{\otimes l} := \overline{C} \otimes \cdots \otimes \overline{C}$ (l -times).
- (4) Given $c_0, \dots, c_r \in C$ and $i < j$, we write $\mathbf{c}_{ij} := c_i \otimes \cdots \otimes c_j$.
- (5) Given a K -bimodule M , we let $M \otimes$ denote the quotient $M/[M, K]$, where $[M, K]$ is the k -vector subspace of M generated by all the commutators $m\lambda - \lambda m$, with $m \in M$ and $\lambda \in K$. Moreover, for $m \in M$, we let $[m]$ denote the class of m in $M \otimes$.

By definition, the *normalized mixed complex of the K-algebra C* is the mixed complex $(C \otimes \overline{C}^{\otimes*} \otimes, b, B)$, where b is the canonical Hochschild boundary map and the Connes operator B is given by

$$B([\mathbf{c}_{0r}]) := \sum_{i=0}^r (-1)^{ir} [1 \otimes \mathbf{c}_{ir} \otimes \mathbf{c}_{0,i-1}].$$

The *cyclic, negative, periodic and Hochschild homology groups* $\mathrm{HC}_*^K(C)$, $\mathrm{HN}_*^K(C)$, $\mathrm{HP}_*^K(C)$ and $\mathrm{HH}_*^K(C)$ of C are the respective homology groups of $(C \otimes \overline{C}^{\otimes*} \otimes, b, B)$.

1.5. The perturbation lemma

Next, we recall the perturbation lemma. We present the version introduced in [9].

A homotopy equivalence data

$$(Y, \partial) \begin{matrix} \xleftarrow{p} \\ \xrightarrow{i} \end{matrix} (X, d), \quad h: X_* \rightarrow X_{*+1}, \tag{1.6}$$

consists of the following:

- (1) chain complexes (Y, ∂) , (X, d) and quasi-isomorphisms i, p between them,
- (2) a homotopy h from $i \circ p$ to id .

A *perturbation* δ of (1.6) is a map $\delta: X_* \rightarrow X_{*+1}$ such that $(d + \delta)^2 = 0$. We call it *small* if $\mathrm{id} - \delta \circ h$ is invertible. In this case we write $A = (\mathrm{id} - \delta \circ h)^{-1} \circ \delta$ and we consider

$$(Y, \partial^1) \begin{matrix} \xleftarrow{p^1} \\ \xrightarrow{i^1} \end{matrix} (X, d + \delta), \quad h^1: X_* \rightarrow X_{*+1}, \tag{1.7}$$

with

$$\begin{aligned} \partial^1 &:= \partial + p \circ A \circ i, & i^1 &:= i + h \circ A \circ i, & p^1 &:= p + p \circ A \circ h, \\ h^1 &:= h + h \circ A \circ h. \end{aligned}$$

A *deformation retract* is a homotopy equivalence data such that $p \circ i = \mathrm{id}$. A deformation retract is called *special* if $h \circ i = 0$, $p \circ h = 0$ and $h \circ h = 0$.

In all the cases considered in this paper the map $\delta \circ h$ is locally nilpotent, and so $(\mathrm{id} - \delta \circ h)^{-1} = \sum_{n=0}^{\infty} (\delta \circ h)^n$.

Theorem 1.16 ([9]). *If δ is a small perturbation of the homotopy equivalence data (1.6), then the perturbed data (1.7) is a homotopy equivalence data. Moreover, if (1.6) is a special deformation retract, then (1.7) is also.*

2. A resolution for Brzeziński’s crossed products

Let $E := A\#V$ be Brzeziński’s crossed product with associated twisting map χ and cocycle \mathcal{F} , and let K be a subalgebra of A , stable under χ . Let \mathcal{T} be the family of all the epimorphisms of E -bimodules which split as (E, K) -bimodule maps. In this section we construct a \mathcal{T} -projective resolution (X_*, d_*) , of E as an E -bimodule, simpler than the normalized bar resolution of

E. Moreover we will compute comparison maps between both resolutions. Recall that for all *K*-algebra *C* we let \overline{C} and \otimes denote *C*/*K* and \otimes_K , respectively. We also will use the following notations.

- (1) Given $x_0, \dots, x_r \in E$ and $i < j$, we write \overline{x}_{ij} to mean $x_i \otimes_A \dots \otimes_A x_j$, both in $E^{\otimes_A^{j-i+1}}$ and in $(E/A)^{\otimes_A^{j-i+1}}$.
- (2) We let $i_A: A \rightarrow E$ and $i_{\overline{A}}: \overline{A} \rightarrow \overline{E}$ denote the maps defined by $i_A(a) := a\#1$ and $i_{\overline{A}}(a) := a\#1$, respectively.
- (3) We set $\overline{V} := V/k$. Moreover, given $v \in V$, we also denote by v the class of v in \overline{V} .
- (4) We write $\overline{V}^{\otimes l} := \overline{V} \otimes_k \dots \otimes_k \overline{V}$ (*l*-times).
- (5) Given $v_0, \dots, v_s \in V$ and $i < j$, we write $\mathbf{v}_{ij} := v_i \otimes_k \dots \otimes_k v_j$.
- (6) We will denote by γ any of the maps

$$\begin{array}{ccc} V \longrightarrow E & , & V \longrightarrow \overline{E} & \text{or} & V \longrightarrow E/A \\ v \longmapsto 1\#v & & v \longmapsto 1\#v & & v \longmapsto 1\#v. \end{array}$$

So, $\gamma(v)$ stands for $1\#v \in E$ or for its class in \overline{E} or E/A . More general, given $a \in A$ and $v \in V$ we will let $a\gamma(v)$ denote $a\#v \in E$ or its class in \overline{E} or E/A .

- (7) We will denote by \mathcal{V} , \mathcal{V}_K and \mathcal{V}_A the image of γ in E , \overline{E} and E/A , respectively.
- (8) Given $\mathbf{v}_{1j} \in V^{\otimes j}_k$, we write $\gamma(\mathbf{v}_{1j})$ to mean $\gamma(v_1) \otimes \dots \otimes \gamma(v_j)$ both in $E^{\otimes j}$ and in $\overline{E}^{\otimes j}$.
- (9) Given $\mathbf{v}_{1j} \in V^{\otimes j}_k$, we write $\gamma_A(\mathbf{v}_{1j})$ to mean $\gamma(v_1) \otimes_A \dots \otimes_A \gamma(v_j)$ both in $E^{\otimes_A j}$ and in $(E/A)^{\otimes_A j}$.

Note that $E/A \simeq A \otimes_k \overline{V}$. We will use the following evident identifications

$$\begin{aligned} A^{\otimes r} \otimes_A E &\simeq A^{\otimes r} \otimes_k V, & E \otimes_A (E/A)^{\otimes_A s} &\simeq E \otimes_k \overline{V}^{\otimes k s} & \text{and} \\ E^{\otimes_A s} &\simeq E^{\otimes_A i} \otimes_k V^{\otimes k^{s-i}}. \end{aligned}$$

We consider $A^{\otimes r} \otimes_k V$, $E \otimes_k \overline{V}^{\otimes k s}$ and $E^{\otimes_A i} \otimes_k V^{\otimes k^{s-i}}$ as *E*-bimodules via the actions obtained by translation of structure. For all $r, s \geq 0$, we let Y_s and X_{rs} denote

$$E \otimes_A (E/A)^{\otimes_A s} \otimes_A E \quad \text{and} \quad E \otimes_A (E/A)^{\otimes_A s} \otimes \overline{A}^{\otimes r} \otimes E,$$

respectively. By the above discussion

$$Y_s \simeq (E \otimes_k \overline{V}^{\otimes k s}) \otimes_A E \quad \text{and} \quad X_{rs} \simeq (E \otimes_k \overline{V}^{\otimes k s}) \otimes \overline{A}^{\otimes r} \otimes E.$$

Consider the diagram of *E*-bimodules and *E*-bimodule maps

$$\begin{array}{ccccccc} \vdots & & & & & & \\ \downarrow -\partial_2 & & & & & & \\ Y_2 & \xleftarrow{v_2} & X_{02} & \xleftarrow{d_{12}^0} & X_{12} & \xleftarrow{d_{22}^0} & \dots \\ \downarrow -\partial_2 & & & & & & \\ Y_1 & \xleftarrow{v_1} & X_{01} & \xleftarrow{d_{11}^0} & X_{11} & \xleftarrow{d_{21}^0} & \dots \\ \downarrow -\partial_1 & & & & & & \\ Y_0 & \xleftarrow{v_0} & X_{00} & \xleftarrow{d_{10}^0} & X_{10} & \xleftarrow{d_{20}^0} & \dots \end{array}$$

where (Y_*, ∂_*) is the normalized bar resolution of the A -algebra E , introduced in [16]; for each $s \geq 0$, the complex $(X_{*,s}, d_{*,s}^0)$ is $(-1)^s$ -times the normalized bar resolution of the K -algebra A , tensored on the left over A with $E \otimes_A (E/A)^{\otimes s}$, and on the right over A with E ; and for each $s \geq 0$, the map v_s is the canonical surjection. Each one of the rows of this diagram is contractible as a (E, K) -bimodule complex. A contracting homotopy

$$\sigma_{0s}^0 : Y_s \rightarrow X_{0s} \quad \text{and} \quad \sigma_{r+1,s}^0 : X_{rs} \rightarrow X_{r+1,s},$$

of the s -th row, is given by

$$\sigma_{0s}^0 (\bar{x}_{0s} \otimes_A \gamma(v)) := \bar{x}_{0s} \otimes \gamma(v)$$

and

$$\sigma_{r+1,s}^0 (\bar{x}_{0s} \otimes \mathbf{a}_{1r} \otimes a_{r+1} \gamma(v)) := (-1)^{r+s+1} \bar{x}_{0s} \otimes \mathbf{a}_{1,r+1} \otimes \gamma(v).$$

Let $\tilde{u} : Y_0 \rightarrow E$ be the multiplication map. The complex of E -bimodules

$$E \xleftarrow{-\tilde{u}} Y_0 \xleftarrow{-\partial_1} Y_1 \xleftarrow{-\partial_2} Y_2 \xleftarrow{-\partial_3} Y_3 \xleftarrow{-\partial_4} Y_4 \xleftarrow{-\partial_5} Y_5 \xleftarrow{-\partial_6} \dots$$

is also contractible as a complex of (E, K) -bimodules. A chain contracting homotopy

$$\sigma_0^{-1} : E \rightarrow Y_0 \quad \text{and} \quad \sigma_{s+1}^{-1} : Y_s \rightarrow Y_{s+1} \quad (s \geq 0),$$

is given by $\sigma_{s+1}^{-1}(\bar{x}_{0,s+1}) := (-1)^s \bar{x}_{0,s+1} \otimes_A 1_E$.

For $r \geq 0$ and $1 \leq l \leq s$, we define E -bimodule maps $d_{rs}^l : X_{rs} \rightarrow X_{r+l-1,s-l}$ recursively on l and r , by:

$$d^l(\mathbf{z}) := \begin{cases} \sigma^0 \circ \partial \circ v(\mathbf{z}) & \text{if } l = 1 \text{ and } r = 0, \\ -\sigma^0 \circ d^1 \circ d^0(\mathbf{z}) & \text{if } l = 1 \text{ and } r > 0, \\ -\sum_{j=1}^{l-1} \sigma^0 \circ d^{l-j} \circ d^j(\mathbf{z}) & \text{if } 1 < l \text{ and } r = 0, \\ -\sum_{j=0}^{l-1} \sigma^0 \circ d^{l-j} \circ d^j(\mathbf{z}) & \text{if } 1 < l \text{ and } r > 0, \end{cases}$$

for $\mathbf{z} \in E \otimes_A (E/A)^{\otimes s} \otimes \bar{A}^{\otimes r} \otimes K$.

Theorem 2.1. *There is a Υ -projective resolution of E*

$$E \xleftarrow{-\mu} X_0 \xleftarrow{d_1} X_1 \xleftarrow{d_2} X_2 \xleftarrow{d_3} X_3 \xleftarrow{d_4} X_4 \xleftarrow{d_5} \dots, \tag{2.8}$$

where $\mu : X_{00} \rightarrow E$ is the multiplication map,

$$X_n := \bigoplus_{r+s=n} X_{rs} \quad \text{and} \quad d_n := \sum_{l=1}^n d_{0n}^l + \sum_{r=1}^n \sum_{l=0}^{n-r} d_{r,n-r}^l.$$

Proof. This follows immediately from [14, Corollary A2]. \square

In order to carry out our computations we also need to give an explicit contracting homotopy of the resolution (2.8). For this we define maps

$$\sigma_{l,s-l}^l : Y_s \rightarrow X_{l,s-l} \quad \text{and} \quad \sigma_{r+l+1,s-l}^l : X_{rs} \rightarrow X_{r+l+1,s-l}$$

recursively on l , by:

$$\sigma_{r+l+1,s-l}^l := - \sum_{i=0}^{l-1} \sigma^0 \circ d^{l-i} \circ \sigma^i \quad (0 < l \leq s \text{ and } r \geq -1).$$

Proposition 2.2. *The family*

$$\bar{\sigma}_0: E \rightarrow X_0, \quad \bar{\sigma}_{n+1}: X_n \rightarrow X_{n+1} \quad (n \geq 0),$$

defined by $\bar{\sigma}_0 := \sigma_{00}^0 \circ \sigma_0^{-1}$ and

$$\bar{\sigma}_{n+1} := - \sum_{l=0}^{n+1} \sigma_{l,n-l+1}^l \circ \sigma_{n+1}^{-1} \circ v_n + \sum_{r=0}^n \sum_{l=0}^{n-r} \sigma_{r+l+1,n-r-l}^l \quad (n \geq 0),$$

is a contracting homotopy of (2.8).

Proof. This is a direct consequence of [14, Corollary A2]. \square

Notations 2.3. We will use the following notations:

(1) For $j, l \geq 1$, we let $\chi_{jl}: V^{\otimes_j k} \otimes_k A^{\otimes_l} \rightarrow A^{\otimes_l} \otimes_k V^{\otimes_j k}$ denote the map recursively defined by:

$$\begin{aligned} \chi_{11} &:= \chi, \\ \chi_{1,l+1} &:= (A^{\otimes_l} \otimes_k \chi) \circ (\chi_{1l} \otimes_k A), \\ \chi_{j+1,l} &:= (\chi_{1l} \otimes_k V^{\otimes_j k}) \circ (V \otimes_k \chi_{jl}). \end{aligned}$$

(2) Write $X'_{rs} := E^{\otimes_A^{s+1}} \otimes A^{\otimes r} \otimes E$. We let $u'_i: X'_{rs} \rightarrow X'_{r,s-1}$ denote the map defined by

$$u'_i(\bar{\mathbf{x}}_0s \otimes \mathbf{a}_{1r} \otimes x) := \bar{\mathbf{x}}_{0,i-1} \otimes_A x_i x_{i+1} \otimes_A \bar{\mathbf{x}}_{i+1,s} \otimes \mathbf{a}_{1r} \otimes x$$

for $0 \leq i < s$, and

$$u'_s(\bar{\mathbf{x}}_{0,s-1} \otimes_A \gamma(v) \otimes \mathbf{a}_{1r} \otimes x) := \sum_l \bar{\mathbf{x}}_{0,s-1} \otimes \mathbf{a}_{1r}^{(l)} \otimes \gamma(v^{(l)})x,$$

where $\sum_l \mathbf{a}_{1r}^{(l)} \otimes_k v^{(l)} := \chi(v \otimes_k \mathbf{a}_{1r})$.

(3) Given a K -subalgebra R of A and $0 \leq u \leq r$, we let X_{rs}^{Ru} denote the E -subbimodule of X_{rs} generated by all the simple tensors $1 \otimes_A \bar{\mathbf{x}}_{1s} \otimes \mathbf{a}_{1r} \otimes 1$, with at least u of the a_j 's in \bar{R} .

Theorem 2.4. *The following assertions hold:*

(1) *The map $d^1: X_{rs} \rightarrow X_{r,s-1}$ is induced by the map $\sum_{i=0}^s (-1)^i u'_i$.*

(2) *Let R be a K -subalgebra of A , stable under χ . If \mathcal{F} takes its values in $R \otimes_k V$, then*

$$d^l(X_{rs}) \subseteq X_{r+l-1,s-l}^{R,l-1}$$

for each $l \geq 1$.

Proof. Let $\mathbf{z} \in E \otimes_A (E/A)^{\otimes_A^s} \otimes \bar{A}^{\otimes r} \otimes K$. The computation of d_{rs}^1 can be obtained easily by induction on r , using that

$$d_{0s}^1(\mathbf{z}) = \sigma_{0,s-1}^0 \circ \partial_s \circ v_s^0(\mathbf{z}) \quad \text{and} \quad d_{rs}^1(\mathbf{z}) = -\sigma_{r,s-1}^0 \circ d_{r-1,s}^1 \circ d_{rs}^0(\mathbf{z}) \quad \text{for } r \geq 1.$$

Item (2) follows by induction on r and l , using the recursive definition of $d_{rs}^l(\mathbf{z})$. \square

Remark 2.5. By item (2) of the above theorem, if \mathcal{F} takes its values in $K \otimes_k V$, then (X_*, d_*) is the total complex of the double complex $(X_{**}, d_{**}^0, d_{**}^1)$.

2.1. Comparison with the normalized bar resolution

Let $(E \otimes \overline{E}^{\otimes*} \otimes E, b'_*)$ be the normalized bar resolution of the K -algebra E . As it is well known, the complex

$$E \xleftarrow{\mu} E \otimes E \xleftarrow{b'_1} E \otimes \overline{E} \otimes E \xleftarrow{b'_2} E \otimes \overline{E}^{\otimes 2} \otimes E \xleftarrow{b'_3} \dots$$

is contractible as a complex of (E, K) -bimodules, with contracting homotopy

$$\xi_0: E \rightarrow E \otimes E, \quad \xi_{n+1}: E \otimes \overline{E}^{\otimes n} \otimes E \rightarrow E \otimes \overline{E}^{\otimes n+1} \otimes E \quad (n \geq 0),$$

given by $\xi_n(\mathbf{x}) := (-1)^n \mathbf{x} \otimes 1$. Let

$$\phi_*: (X_*, d_*) \rightarrow (E \otimes \overline{E}^{\otimes*} \otimes E, b'_*) \quad \text{and} \quad \psi_*: (E \otimes \overline{E}^{\otimes*} \otimes E, b'_*) \rightarrow (X_*, d_*)$$

be the morphisms of E -bimodule complexes, recursively defined by

$$\begin{aligned} \phi_0 &:= \text{id}, & \psi_0 &:= \text{id}, \\ \phi_{n+1}(\mathbf{z} \otimes 1) &:= \xi_{n+1} \circ \phi_n \circ d_{n+1}(\mathbf{z} \otimes 1) \end{aligned}$$

and

$$\psi_{n+1}(\mathbf{x} \otimes 1) := \overline{\sigma}_{n+1} \circ \psi_n \circ b'_{n+1}(\mathbf{x} \otimes 1).$$

Proposition 2.6. $\psi \circ \phi = \text{id}$ and $\phi \circ \psi$ is homotopically equivalent to the identity map. A homotopy $\omega_{*+1}: \phi_* \circ \psi_* \rightarrow \text{id}_*$ is recursively defined by

$$\omega_1 := 0 \quad \text{and} \quad \omega_{n+1}(\mathbf{x}) := \xi_{n+1} \circ (\phi_n \circ \psi_n - \text{id} - \omega_n \circ b'_n)(\mathbf{x}),$$

for $\mathbf{x} \in E \otimes \overline{E}^{\otimes n} \otimes K$.

Proof. The proof of [14, Proposition 1.2.1] works in this context. \square

Remark 2.7. Since $\omega(E \otimes \overline{E}^{\otimes n-1} \otimes K) \subseteq E \otimes \overline{E}^{\otimes n} \otimes K$ and ξ vanishes on $E \otimes \overline{E}^{\otimes n} \otimes K$,

$$\omega(\mathbf{x} \otimes 1) = \xi(\phi \circ \psi(\mathbf{x} \otimes 1) - (-1)^n \omega(\mathbf{x})).$$

2.2. The filtrations of $(E \otimes \overline{E}^{\otimes*} \otimes E, b'_*)$ and (X_*, d_*)

Let

$$F^i(X_n) := \bigoplus_{0 \leq s \leq i} X_{n-s,s}$$

and let $F^i(E \otimes \overline{E}^{\otimes n} \otimes E)$ be the E -subbimodule of $E \otimes \overline{E}^{\otimes n} \otimes E$ generated by the tensors $1 \otimes \mathbf{x}_{1n} \otimes 1$ such that at least $n - i$ of the x_j 's belong to \overline{A} . The normalized bar resolution

$(E \otimes \overline{E}^{\otimes*} \otimes E, b'_*)$ and the resolution (X_*, d_*) are filtered by

$$F^0(E \otimes \overline{E}^{\otimes*} \otimes E) \subseteq F^1(E \otimes \overline{E}^{\otimes*} \otimes E) \subseteq F^2(E \otimes \overline{E}^{\otimes*} \otimes E) \subseteq \dots$$

and

$$F^0(X_*) \subseteq F^1(X_*) \subseteq F^2(X_*) \subseteq F^3(X_*) \subseteq F^4(X_*) \subseteq F^5(X_*) \subseteq \dots,$$

respectively.

Proposition 2.8. *The maps ϕ, ψ and ω preserve filtrations.*

Proof. For ϕ this follows from Proposition A.5. Let $Q_j^i := E \otimes_A (E/A)^{\otimes_A^i} \otimes \overline{A}^{\otimes^j} \otimes K$. We claim that

- (a) $\overline{\sigma}(F^i(X_n)) \subseteq F^i(X_{n+1})$ for all $0 \leq i < n$,
- (b) $\overline{\sigma}(E \otimes_A (E/A)^{\otimes_A^i} \otimes \overline{A}^{\otimes^{n-i}} \otimes A) \subseteq Q_{n+1-i}^i + F^{i-1}(X_{n+1})$ for all $0 \leq i \leq n$,
- (c) $\overline{\sigma}(X_{0n}) \subseteq E \otimes_A (E/A)^{\otimes_A^{n+1}} \otimes K + F^n(X_{n+1})$,
- (d) $\psi(F^i(E \otimes \overline{E}^{\otimes^n} \otimes E) \cap E \otimes \overline{E}^{\otimes^n} \otimes K) \subseteq Q_{n-i}^i + F^{i-1}(X_n)$ for all $0 \leq i \leq n$.

In fact (a)–(c) follow immediately from the definition of $\overline{\sigma}_{n+1}$. Suppose (d) is valid for n . Let

$$\mathbf{x} := \mathbf{x}_{0,n+1} \otimes 1 \in F^i(E \otimes \overline{E}^{\otimes^{n+1}} \otimes E) \cap E \otimes \overline{E}^{\otimes^{n+1}} \otimes K \quad \text{where } 0 \leq i \leq n + 1.$$

Using (a), (b) and the inductive hypothesis, we get that for $1 \leq j \leq n$,

$$\begin{aligned} \overline{\sigma}(\psi(\mathbf{x}_{0,j-1} \otimes x_j x_{j+1} \otimes \mathbf{x}_{j+2,n+1} \otimes 1)) &\subseteq \overline{\sigma}(Q_{n-i}^i + F^{i-1}(X_n)) \\ &\subseteq Q_{n+1-i}^i + F^{i-1}(X_{n+1}). \end{aligned}$$

Since $\psi(\mathbf{x}) = \overline{\sigma} \circ \psi \circ b'(\mathbf{x})$, in order to prove (d) for $n + 1$ we only must check that

$$\overline{\sigma}(\psi(\mathbf{x}_{0,n+1})) \subseteq Q_{n+1-i}^i + F^{i-1}(X_{n+1}).$$

If $x_{n+1} \in A$, then using (a), (b) and the inductive hypothesis, we get

$$\begin{aligned} \overline{\sigma}(\psi(\mathbf{x}_{0,n+1})) &= \overline{\sigma}(\psi(\mathbf{x}_{0n} \otimes 1)x_{n+1}) \\ &\subseteq \overline{\sigma}(E \otimes_A (E/A)^{\otimes_A^i} \otimes \overline{A}^{\otimes^{n-i}} \otimes A + F^{i-1}(X_n)) \\ &\subseteq Q_{n+1-i}^i + F^{i-1}(X_{n+1}), \end{aligned}$$

and if $x_{n+1} \notin A$, then $\mathbf{x}_{0,n+1} \in F^{i-1}(E \otimes \overline{E}^{\otimes^n} \otimes E)$, which together with (a), (c) and the inductive hypothesis, implies that

$$\overline{\sigma}(\psi(\mathbf{x}_{0,n+1})) \subseteq \overline{\sigma}(F^{i-1}(X_n)) \subseteq Q_{n+1-i}^i + F^{i-1}(X_{n+1}).$$

From (d) it follows immediately that ψ preserves filtrations. Next, we prove that ω also does it. This is trivial for ω_1 , since $\omega_1 = 0$. Assume that ω_n does. Let

$$\mathbf{x} := \mathbf{x}_{0n} \otimes 1 \in F^i(E \otimes \overline{E}^{\otimes^n} \otimes E) \cap E \otimes \overline{E}^{\otimes^n} \otimes K.$$

By Remark 2.7, we know that

$$\omega(\mathbf{x}) = \xi \circ \phi \circ \psi(\mathbf{x}) + (-1)^n \xi \circ \omega(\mathbf{x}_{0n}).$$

From (d) and the fact that ϕ preserves filtrations, we get

$$\begin{aligned} \xi \circ \phi \circ \psi(\mathbf{x}) \in \xi \circ \phi(Q_{n-i}^i + F^{i-1}(X_n)) &\subseteq \xi(F^{i-1}(E \otimes \overline{E}^{\otimes n} \otimes E)) \\ &\subseteq F^i(E \otimes \overline{E}^{\otimes n} \otimes E), \end{aligned}$$

since $\xi(\phi(Q_{n-i}^i)) \subseteq \xi(E \otimes \overline{E}^{\otimes n} \otimes K) = 0$. To finish the proof it remains to check that

$$\xi \circ \omega \circ b'(\mathbf{x}) \subseteq F^i(E \otimes \overline{E}^{\otimes n} \otimes E).$$

Since, $\omega(E \otimes \overline{E}^{\otimes n-1} \otimes K) \subseteq E \otimes \overline{E}^{\otimes n} \otimes K$ by definition, we have

$$\xi \circ \omega \circ b'(\mathbf{x}) = (-1)^{n-1} \xi \circ \omega(\mathbf{x}_{0n}).$$

Hence, if $x_n \in A$, then

$$\begin{aligned} \xi \circ \omega \circ b'(\mathbf{x}) &= (-1)^{n-1} \xi_{n+1}(\omega_n(\mathbf{x}_{0,n-1} \otimes 1)x_n) \\ &\subseteq \xi(F^i(E \otimes \overline{E}^{\otimes n} \otimes E) \cap E \otimes \overline{E}^{\otimes n} \otimes A) \\ &\subseteq F^i(E \otimes \overline{E}^{\otimes n+1} \otimes E), \end{aligned}$$

and if $x_n \notin A$, then $\mathbf{x}_{0n} \in F^{i-1}(E \otimes \overline{E}^{\otimes n-1} \otimes E)$, and so

$$\xi \circ \omega(\mathbf{x}_{0n}) \subseteq \xi(F^{i-1}(E \otimes \overline{E}^{\otimes n} \otimes E)) \subseteq F^i(E \otimes \overline{E}^{\otimes n+1} \otimes E),$$

as we want. \square

3. Hochschild homology of Brzeziński’s crossed products

Let $E := A\#V$ be Brzeziński’s crossed product with associated twisting map χ and cocycle \mathcal{F} , and let K be a subalgebra of A , stable under χ . Recall that \mathcal{T} is the family of all epimorphisms of E -bimodules which split as (E, K) -bimodule maps. Since (X_*, d_*) is a \mathcal{T} -projective resolution of E , the Hochschild homology of the K -algebra E with coefficients in an E -bimodule M is the homology of $M \otimes_{E^e}(X_*, d_*)$. For $r, s \geq 0$, write

$$\widehat{X}_{rs}(M) := M \otimes_A (E/A)^{\otimes_A^s} \overline{A}^{\otimes r} \otimes.$$

It is easy to check that $\widehat{X}_{rs}(M) \simeq M \otimes_{E^e} X_{rs}$ via

$$\begin{aligned} \widehat{X}_{rs}(M) &\longrightarrow M \otimes_{E^e} X_{rs} \\ [m \otimes_A \bar{\mathbf{x}}_{1s} \otimes \mathbf{a}_{1r}] &\longmapsto m \otimes_{E^e} (1 \otimes_A \bar{\mathbf{x}}_{1s} \otimes \mathbf{a}_{1r} \otimes 1). \end{aligned}$$

Let $\widehat{d}_{rs}^l: \widehat{X}_{rs}(M) \rightarrow \widehat{X}_{r+l-1, s-l}(M)$ be the map induced by $\text{id}_M \otimes_{E^e} d_{rs}^l$. Via the above identifications the complex $M \otimes_{E^e}(X_*, d_*)$ becomes $(\widehat{X}_*(M), \widehat{d}_*)$, where

$$\widehat{X}_n(M) := \bigoplus_{r+s=n} \widehat{X}_{rs}(M) \quad \text{and} \quad \widehat{d}_n := \sum_{l=1}^n \widehat{d}_{0n}^l + \sum_{r=1}^n \sum_{l=0}^{n-r} \widehat{d}_{r, n-r}^l.$$

Consequently, we have the following result.

Theorem 3.1. *The Hochschild homology $H_*^K(E, M)$, of the K -algebra E with coefficients in M , is the homology of $(\widehat{X}_*(M), \widehat{d}_*)$.*

Remark 3.2. If K is a separable k -algebra, then $H_*^K(E, M)$ coincides with the absolute Hochschild homology $H_*(E, M)$, of E with coefficients in M .

Remark 3.3. If $K = A$, then $(\widehat{X}_*(M), \widehat{d}_*) = (\widehat{X}_{0*}(M), \widehat{d}_{0*}^1)$.

Remark 3.4. In order to abbreviate notations we will write \widehat{X}_{rs} and \widehat{X}_n instead of $\widehat{X}_{rs}(E)$ and $\widehat{X}_n(E)$, respectively.

For $r, s \geq 0$, let

$$\widetilde{X}_{rs}(M) := M \otimes_A E^{\otimes_A^s} \otimes A^{\otimes_A^r} \otimes .$$

Similarly as for $\widehat{X}_{rs}(M)$ we have canonical identifications

$$\widetilde{X}_{rs}(M) \simeq M \otimes_{E^e} X'_{rs}.$$

For $0 \leq i \leq s$, let

$$\widetilde{u}_i : \widetilde{X}_{rs}(M) \rightarrow \widetilde{X}_{r,s-1}(M)$$

be the map induced by u'_i . It is easy to see that

$$\begin{aligned} \widetilde{u}_0([m \otimes_A \bar{\mathbf{x}}_{1s} \otimes \mathbf{a}_{1r}]) &= [m x_1 \otimes_A \bar{\mathbf{x}}_{2s} \otimes \mathbf{a}_{1r}], \\ \widetilde{u}_i([m \otimes_A \bar{\mathbf{x}}_{1s} \otimes \mathbf{a}_{1r}]) &= [m \otimes_A \bar{\mathbf{x}}_{1,i-1} \otimes_A x_i x_{i+1} \otimes_A \bar{\mathbf{x}}_{i+1,s} \otimes \mathbf{a}_{1r}] \quad \text{for } 0 < i < s \end{aligned}$$

and

$$\widetilde{u}_s([m \otimes_A \bar{\mathbf{x}}_{1,s-1} \otimes_A \gamma(v) \otimes \mathbf{a}_{1r}]) = \sum_l [\gamma(v^{(l)})m \otimes_A \bar{\mathbf{x}}_{1,s-1} \otimes \mathbf{a}_{1r}^{(l)}],$$

where $\sum_l \mathbf{a}_{1r}^{(l)} \otimes_k v^{(l)} := \chi(v \otimes_k \mathbf{a}_{1r})$.

Notations 3.5. We will use the following notations.

(1) We let $\overline{W}_n \subseteq \overline{W}'_n$ denote the k -vector subspace of $M \otimes \overline{E}^{\otimes n} \otimes$ generated by the classes in $M \otimes \overline{E}^{\otimes n} \otimes$ of the simple tensors $m \otimes \mathbf{x}_{1n}$ such that

$$\#(\{j : x_j \notin \overline{A} \cup \mathcal{V}_K\}) = 0 \quad \text{and} \quad \#(\{j : x_j \notin \overline{A} \cup \mathcal{V}_K\}) \leq 1,$$

respectively.

(2) Given a K -subalgebra R of A , we let \overline{C}_n^R denote the k -vector subspace of $M \otimes \overline{E}^{\otimes n} \otimes$ generated by the classes in $M \otimes \overline{E}^{\otimes n} \otimes$ of all the simple tensors $m \otimes \mathbf{x}_{1n}$ with some x_i in \overline{R} .

(3) Given a K -subalgebra R of A and $0 \leq u \leq r$, we let $\widehat{X}_{rs}^{Ru}(M)$ denote the k -vector subspace of $\widehat{X}_{rs}(M)$ generated by the classes in $\widehat{X}_{rs}(M)$ of all the simple tensors $m \otimes_A \bar{\mathbf{x}}_{1s} \otimes \mathbf{a}_{1r}$, with at least u of the a_j 's in \overline{R} . Moreover, we set $\widehat{X}_n^{Ru}(M) := \bigoplus_{r+s=n} \widehat{X}_{rs}^{Ru}(M)$.

(4) For $j, l \geq 1$, we let

$$\overline{\chi}_{jl} : V^{\otimes_k^j} \otimes_k \overline{A}^{\otimes^l} \rightarrow \overline{A}^{\otimes^l} \otimes_k V^{\otimes_k^j}$$

denote the map induced by the map χ_{jl} introduced in **Notations 2.3**.

(5) We let

$$\text{Sh}_{sr} : V^{\otimes_k^s} \otimes_k \overline{A}^{\otimes r} \rightarrow \overline{E}^{\otimes^{r+s}}$$

denote the map recursively defined by:

– $\text{Sh}_{s0} := \gamma^{\otimes^s}$,

– $\text{Sh}_{0r} := i_A^{\otimes r}$,

– If $r, s \geq 1$, then

$$\text{Sh}_{sr} := \sum_{i=0}^r (-1)^i \left(\text{Sh}_{s-1,i} \otimes \gamma \otimes i_A^{\otimes^{r-i}} \right) \circ \left(\overline{V}^{\otimes^{s-1}} \otimes \overline{\chi}_{1i} \otimes \overline{A}^{\otimes^{r-i}} \right),$$

where $\overline{\chi}_{10} := \text{id}_V$.

Theorem 3.6. *The following assertions hold.*

- (1) *The morphism $\widehat{d}^0 : \widehat{X}_{rs}(M) \rightarrow \widehat{X}_{r-1,s}(M)$ is $(-1)^s$ -times the boundary map of the normalized chain Hochschild complex of the K -algebra A with coefficients in $M \otimes_A (E/A)^{\otimes^s_A}$, considered as an A -bimodule via the left and right canonical actions.*
- (2) *The morphism $\widehat{d}^1 : \widehat{X}_{rs}(M) \rightarrow \widehat{X}_{r,s-1}(M)$ is induced by $\sum_{i=0}^s (-1)^i \widetilde{u}_i$.*
- (3) *Let R be a K -subalgebra of A , stable under χ . If \mathcal{F} takes its values in $R \otimes_k V$, then*

$$\widehat{d}^l(\widehat{X}_{rs}(M)) \subseteq \widehat{X}_{r+l-1,s-l}^{R,l-1}(M)$$

for each $l \geq 1$.

Proof. Item (1) follows easily from the definition of d^0 , and items (2) and (3), from Theorem 2.4. \square

Now it is convenient to note that $A \otimes \overline{A}^{\otimes r} \otimes M$ is an E -bimodule via

$$a\gamma(v) \cdot (\mathbf{a}_{0r} \otimes m) \cdot a'\gamma(v') := \sum_l \mathbf{a}\mathbf{a}_{0r}^{(l)} \otimes \gamma(v^{(l)}) m a'\gamma(v'),$$

where $\sum_l \mathbf{a}_{0r}^{(l)} \otimes_k v^{(l)} := \chi(v \otimes_k \mathbf{a}_{0r})$.

Remark 3.7. Note that

$$\text{H}_r(\widehat{X}_{*s}(M), \widehat{d}_{*s}^0) = \text{H}_r^K(A, \widehat{M} \otimes_A (E/A)^{\otimes^s_A})$$

and

$$\text{H}_s(\widehat{X}_{r*}(M), \widehat{d}_{r*}^1) = \text{H}_s^A(E, A \otimes \overline{A}^{\otimes r} \otimes M).$$

Remark 3.8. By item (3) of the above theorem, if \mathcal{F} takes its values in $K \otimes_k V$, then $(\widehat{X}_*(M), \widehat{d}_*)$ is the total complex of the double complex $(\widehat{X}_{**}(M), \widehat{d}_{**}^0, \widehat{d}_{**}^1)$.

3.1. Comparison maps

Let $(M \otimes \overline{E}^{\otimes^*} \otimes, b_*)$ be the normalized Hochschild chain complex of the K -algebra E with coefficients in M . Recall that there is a canonical identification

$$(M \otimes \overline{E}^{\otimes^*} \otimes, b_*) \simeq M \otimes_{E^e} (E \otimes \overline{E}^{\otimes^*} \otimes E, b'_*).$$

Let

$$\widehat{\phi}_* : (\widehat{X}_*(M), \widehat{d}_*) \rightarrow (M \otimes \overline{E}^{\otimes*} \otimes, b_*) \quad \text{and} \quad \widehat{\psi}_* : (M \otimes \overline{E}^{\otimes*} \otimes, b_*) \rightarrow (\widehat{X}_*(M), \widehat{d}_*)$$

be the morphisms of complexes induced by ϕ and ψ respectively. By Proposition 2.6 it is evident that $\widehat{\psi} \circ \widehat{\phi} = \text{id}$ and $\widehat{\phi} \circ \widehat{\psi}$ is homotopically equivalent to the identity map. A homotopy $\widehat{\omega}_{*+1} : \widehat{\phi}_* \circ \widehat{\psi}_* \rightarrow \text{id}_*$ is the family of maps

$$\left(\widehat{\omega}_{n+1} : M \otimes \overline{E}^{\otimes n} \otimes \longrightarrow M \otimes \overline{E}^{\otimes n+1} \otimes \right)_{n \geq 0},$$

induced by $(\omega_{n+1} : E \otimes \overline{E}^{\otimes n} \otimes E \longrightarrow E \otimes \overline{E}^{\otimes n+1} \otimes E)_{n \geq 0}$.

3.2. The filtrations of $(M \otimes \overline{E}^{\otimes*} \otimes, b_*)$ and $(\widehat{X}_*(M), \widehat{d}_*)$

Let

$$F^i(\widehat{X}_n(M)) := \bigoplus_{0 \leq s \leq i} \widehat{X}_{n-s,s}(M).$$

The complex $(\widehat{X}_*(M), \widehat{d}_*)$ is filtered by

$$F^0(\widehat{X}_*(M)) \subseteq F^1(\widehat{X}_*(M)) \subseteq F^2(\widehat{X}_*(M)) \subseteq F^3(\widehat{X}_*(M)) \subseteq F^4(\widehat{X}_*(M)) \subseteq \dots$$

Using this fact we obtain that there is a convergent spectral sequence

$$E_{r,s}^1 = H_r^K(A, M \otimes_A (E/A)^{\otimes_A^s}) \implies H_{r+s}^K(E, M). \tag{3.9}$$

Let $F^i(M \otimes \overline{E}^{\otimes n} \otimes)$ be the k -vector subspace of $M \otimes \overline{E}^{\otimes n} \otimes$ generated by the classes in $M \otimes \overline{E}^{\otimes n} \otimes$ of the simple tensors $m \otimes \mathbf{x}_{1n}$ such that at least $n - i$ of the x_i 's belong to \overline{A} . The normalized Hochschild complex $(M \otimes \overline{E}^{\otimes*} \otimes, b_*)$ is filtered by

$$F^0(M \otimes \overline{E}^{\otimes*} \otimes) \subseteq F^1(M \otimes \overline{E}^{\otimes*} \otimes) \subseteq F^2(M \otimes \overline{E}^{\otimes*} \otimes) \subseteq \dots$$

The spectral sequence associated to this filtration is called the homological Hochschild–Serre spectral sequence.

Proposition 3.9. *The maps $\widehat{\phi}$, $\widehat{\psi}$ and $\widehat{\omega}$ preserve filtrations.*

Proof. This follows immediately from Proposition 2.8. \square

Corollary 3.10. *The homological Hochschild–Serre spectral sequence is isomorphic to the spectral sequence (3.9).*

Proof. This follows immediately from Proposition 3.9 and the comments following Remark 3.8. \square

Proposition 3.11. *Let R be a K -subalgebra of A , stable under χ . If \mathcal{F} takes its values in $R \otimes_k V$, then*

$$\widehat{\phi}([m \otimes_A \gamma_A(\mathbf{v}_{1i}) \otimes \mathbf{a}_{1,n-i}]) = [m \otimes \text{Sh}(\mathbf{v}_{1i} \otimes_k \mathbf{a}_{1,n-i})] + [m \otimes \mathbf{x}],$$

with $[m \otimes \mathbf{x}] \in F^{i-1}(M \otimes \overline{E}^{\otimes n} \otimes) \cap \overline{W}_n \cap \overline{C}_n^R$. In particular $\widehat{\phi}$ preserves filtrations.

Proof. This follows immediately from Proposition A.5. \square

In the next proposition we use the following notations:

$$\bar{R}_i := F^i(M \otimes \bar{E}^{\otimes n} \otimes) \setminus F^{i-1}(M \otimes \bar{E}^{\otimes n} \otimes)$$

and

$$F_R^j(\widehat{X}_n(M)) := F^j(\widehat{X}_n(M)) \cap \widehat{X}_n^{R1}(M).$$

Proposition 3.12. *Let R be a K -subalgebra of A , stable under χ , such that \mathcal{F} takes its values in $R \otimes_k V$. The following equalities hold.*

- (1) $\widehat{\psi}([m \otimes \gamma(\mathbf{v}_{1i}) \otimes \mathbf{a}_{i+1,n}]) = [m \otimes_A \gamma_A(\mathbf{v}_{1i}) \otimes \mathbf{a}_{i+1,n}]$.
- (2) If $\mathbf{x} = [m \otimes \mathbf{x}_{1n}] \in \bar{R}_i \cap \bar{W}_n$ and there is $1 \leq j \leq i$ such that $x_j \in A$, then $\widehat{\psi}(\mathbf{x}) = 0$.
- (3) If $\mathbf{x} = [m \otimes \gamma(\mathbf{v}_{1,i-1}) \otimes a_i \gamma(v_i) \otimes \mathbf{a}_{i+1,n}]$, then

$$\begin{aligned} \widehat{\psi}(\mathbf{x}) \equiv & [m \otimes_A \gamma_A(\mathbf{v}_{1,i-1}) \otimes_A a_i \gamma_A(v_i) \otimes \mathbf{a}_{i+1,n}] \\ & + \sum_l [\gamma(v_i^{(l)})m \otimes_A \gamma_A(\mathbf{v}_{1,i-1}) \otimes a_i \otimes \mathbf{a}_{i+1,n}^{(l)}], \end{aligned}$$

modulo $F_R^{i-2}(\widehat{X}_n(M))$, where $\sum_l \mathbf{a}_{i+1,n}^{(l)} \otimes_k v_i^{(l)} := \bar{\chi}(v_i \otimes_k \mathbf{a}_{i+1,n})$.

- (4) If $\mathbf{x} = [m \otimes \gamma(\mathbf{v}_{1,j-1}) \otimes a_j \gamma(v_j) \otimes \gamma(\mathbf{v}_{j+1,i}) \otimes \mathbf{a}_{i+1,n}]$ with $j < i$, then

$$\widehat{\psi}(\mathbf{x}) \equiv [m \otimes_A \gamma_A(\mathbf{v}_{1,j-1}) \otimes_A a_j \gamma_A(v_j) \otimes_A \gamma_A(\mathbf{v}_{j+1,i}) \otimes \mathbf{a}_{i+1,n}],$$

modulo $F_R^{i-2}(\widehat{X}_n(M))$.

- (5) If $\mathbf{x} = [m \otimes \gamma(\mathbf{v}_{1,i-1}) \otimes \mathbf{a}_{i,j-1} \otimes a_j \gamma(v_j) \otimes \mathbf{a}_{j+1,n}]$ with $j > i$, then

$$\widehat{\psi}(\mathbf{x}) \equiv [\gamma(v_j^{(l)})m \otimes_A \gamma_A(\mathbf{v}_{1,i-1}) \otimes \mathbf{a}_{ij} \otimes \mathbf{a}_{j+1,n}^{(l)}],$$

modulo $F_R^{i-2}(\widehat{X}_n(M))$, where $\sum_l \mathbf{a}_{j+1,n}^{(l)} \otimes_k v_j^{(l)} := \bar{\chi}(v_j \otimes_k \mathbf{a}_{j+1,n})$.

- (6) If $\mathbf{x} = [m \otimes \mathbf{x}_{1n}] \in \bar{R}_i \cap \bar{W}'_n$ and there exists $1 \leq j_1 < j_2 \leq n$ such that $x_{j_1} \in A$ and $x_{j_2} \in \mathcal{V}_K$, then $\widehat{\psi}(\mathbf{x}) \in F_R^{i-2}(\widehat{X}_n(M))$.

Proof. This follows immediately from Proposition A.7. \square

Proposition 3.13. *If $\mathbf{x} = [m \otimes \mathbf{x}_{1n}] \in F^i(M \otimes \bar{E}^{\otimes n} \otimes) \cap \bar{W}'_n$, then*

$$\widehat{\omega}(\mathbf{x}) = [m \otimes \mathbf{y}] \quad \text{with } [m \otimes \mathbf{y}] \in F^i(M \otimes \bar{E}^{\otimes n+1} \otimes) \cap \bar{W}_{n+1}.$$

Proof. This follows immediately from Proposition A.9. \square

4. Hochschild cohomology of Brzeziński’s crossed products

Let M be an E -bimodule. Since (X_*, d_*) is a \mathcal{Y} -projective resolution of E , the Hochschild cohomology of the K -algebra E with coefficients in M is the cohomology of the cochain complex $\text{Hom}_{E^e}((X_*, d_*), M)$.

For each $s \geq 0$, we let $\text{Hom}_A((E/A)^{\otimes_s}, M)$ denote the abelian group of left A -linear maps from $(E/A)^{\otimes_s}$ to M . Note that $\text{Hom}_A((E/A)^{\otimes_s}, M)$ is an A -bimodule via

$$a\alpha(\bar{\mathbf{x}}_{1s}) := \alpha(\bar{\mathbf{x}}_{1s}a) \quad \text{and} \quad \alpha a(\bar{\mathbf{x}}_{1s}) := \alpha(\bar{\mathbf{x}}_{1s})a.$$

For each $r, s \geq 0$, write

$$\widehat{X}^{rs}(M) := \text{Hom}_{(A,K)}((E/A)^{\otimes_A^s} \otimes \overline{A}^{\otimes r}, M) \simeq \text{Hom}_{K^e}(\overline{A}^{\otimes r}, \text{Hom}_A((E/A)^{\otimes_A^s}, M)).$$

It is easy to check that the k -linear map

$$\zeta^{rs} : \text{Hom}_{E^e}(X_{rs}, M) \rightarrow \widehat{X}^{rs}(M),$$

given by

$$\zeta(\alpha)(\overline{\mathbf{x}}_{1s} \otimes \mathbf{a}_{1r}) := \alpha(1 \otimes_A \overline{\mathbf{x}}_{1s} \otimes \mathbf{a}_{1r} \otimes 1),$$

is an isomorphism. For each $l \leq s$, let

$$\widehat{d}_l^{rs} : \widehat{X}^{r+l-1, s-l}(M) \rightarrow \widehat{X}^{rs}(M)$$

be the map induced by $\text{Hom}_{E^e}(d_{rs}^l, M)$. Via the above identifications the complex

$$\text{Hom}_{E^e}((X_*, d_*), M)$$

becomes $(\widehat{X}^*(M), \widehat{d}^*)$, where

$$\widehat{X}^n(M) := \bigoplus_{r+s=n} \widehat{X}^{rs}(M) \quad \text{and} \quad \widehat{d}^n := \sum_{l=1}^n \widehat{d}_l^{0n} + \sum_{r=1}^n \sum_{l=0}^{n-r} \widehat{d}_l^{r, n-r}.$$

Consequently, we have the following result.

Theorem 4.1. *The Hochschild cohomology $H_K^*(E, M)$, of the K -algebra E with coefficients in M , is the cohomology of $(\widehat{X}^*(M), \widehat{d}^*)$.*

Remark 4.2. If K is a separable k -algebra, then $H_K^*(E, M)$ coincides with the absolute Hochschild cohomology $H^*(E, M)$, of E with coefficients in M .

Remark 4.3. If $K = A$, then $(\widehat{X}^*(M), \widehat{d}^*) = (\widehat{X}^{0*}(M), \widehat{d}_1^{0*})$.

Remark 4.4. In order to abbreviate notations we will write \widehat{X}^{rs} and \widehat{X}^n instead of $\widehat{X}^{rs}(E)$ and $\widehat{X}^n(E)$, respectively.

For each $s \geq 0$, we let $\text{Hom}_A(E^{\otimes_A^s}, M)$ denote the abelian group of left A -linear maps from $E^{\otimes_A^s}$ to M . Note that $\text{Hom}_A(E^{\otimes_A^s}, M)$ is an A -bimodule via

$$a\alpha(\overline{\mathbf{x}}_{1s}) := \alpha(\overline{\mathbf{x}}_{1s}a) \quad \text{and} \quad \alpha a(\overline{\mathbf{x}}_{1s}) := \alpha(\overline{\mathbf{x}}_{1s})a.$$

For $r, s \geq 0$, let

$$\widetilde{X}^{rs}(M) := \text{Hom}_{(A,K)}(E^{\otimes_A^s} \otimes A^{\otimes r}, M) \simeq \text{Hom}_{K^e}(A^{\otimes r}, \text{Hom}_A(E^{\otimes_A^s}, M)).$$

Similarly as for $\widehat{X}^{rs}(M)$, we have canonical identifications

$$\widetilde{X}^{rs}(M) \simeq \text{Hom}_{E^e}(X'_{rs}, M).$$

For $0 \leq i \leq s$, let

$$\widetilde{u}^i : \widetilde{X}^{r, s-1}(M) \rightarrow \widetilde{X}^{rs}(M)$$

be the map induced by u'_i . It is easy to see that

$$\begin{aligned} \tilde{u}^0(\alpha)(\bar{\mathbf{x}}_{1s} \otimes \mathbf{a}_{1r}) &= x_1 \alpha(\bar{\mathbf{x}}_{2s} \otimes \mathbf{a}_{1r}), \\ \tilde{u}^i(\alpha)(\bar{\mathbf{x}}_{1,s+1} \otimes \mathbf{a}_{1r}) &= \alpha(\bar{\mathbf{x}}_{1,i-1} \otimes_A x_i x_{i+1} \otimes_A \bar{\mathbf{x}}_{i+1,s} \otimes \mathbf{a}_{1r}) \quad \text{for } 0 < i < s \end{aligned}$$

and

$$\tilde{u}^s(\alpha)(\bar{\mathbf{x}}_{1,s-1} \otimes_A \gamma(v) \otimes \mathbf{a}_{1r}) = \sum_l \alpha(\bar{\mathbf{x}}_{1,s-1} \otimes \mathbf{a}_{1r}^{(l)}) \gamma(v^{(l)}),$$

where $\sum_l \mathbf{a}_{1r}^{(l)} \otimes_k v^{(l)} := \chi(v \otimes_k \mathbf{a}_{1r})$.

Notations 4.5. We will use the following notations.

- (1) We let $F^i(\bar{E}^{\otimes n})$ denote the K -bimodule of $\bar{E}^{\otimes n}$ generated by the simple tensors \mathbf{x}_{1n} such that at least $n - i$ of the x_i 's belong to A .
- (2) We let W_n^{τ} denote the K -subbimodule of $\bar{E}^{\otimes n}$ generated by the simple tensors \mathbf{x}_{1n} such that $\#(\{j : x_j \notin \bar{A} \cup \mathcal{V}_K\}) = 0$.
- (3) Given a K -subalgebra R of A , we let $C_n^{R\tau}$ denote the K -subbimodule of $\bar{E}^{\otimes n}$ generated by all the simple tensors \mathbf{x}_{1n} with some x_i in \bar{R} .
- (4) Given a K -subalgebra R of A and $0 \leq u \leq r$, we let $\widehat{X}_{Ru}^{rs}(M)$ denote the k -vector subspace of $\widehat{X}^{rs}(M)$ consisting of all the (A, K) -linear maps

$$\alpha : (E/A)^{\otimes_A s} \otimes \bar{A}^{\otimes r} \rightarrow M,$$

that factorize through the (A, K) -subbimodule

$$\widehat{X}_{r+u,s-u-1}^{Rtu}$$

of $(E/A)^{\otimes_A s-u-1} \otimes \bar{A}^{\otimes r+u}$ generated by the simple tensors $\bar{\mathbf{x}}_{1,s-u-1} \otimes \mathbf{a}_{1,r+u}$, with at least u of the a_j 's in \bar{R} .

Theorem 4.6. *The following assertions hold.*

- (1) *The morphism $\widehat{d}_0 : \widehat{X}^{r-1,s}(M) \rightarrow \widehat{X}^{rs}(M)$ is $(-1)^s$ -times the coboundary map of the normalized cochain Hochschild complex of A with coefficients in $\text{Hom}_A((E/A)^{\otimes_A s}, M)$, considered as an A -bimodule as at the beginning of this section.*
- (2) *The morphism $\widehat{d}_1 : \widehat{X}^{r,s-1}(M) \rightarrow \widehat{X}^{rs}(M)$ is induced by $\sum_{i=0}^s (-1)^i \tilde{u}^i$.*
- (3) *Let R be a K -subalgebra of A , stable under χ . If \mathcal{F} takes its values in $R \otimes_k V$, then*

$$\widehat{d}_l(\widehat{X}^{r+l-1,s-l}(M)) \subseteq \widehat{X}_{R,l-1}^{rs}(M),$$

for all $l \geq 1$.

Proof. Item (1) follows easily from the definition of d^0 , and items (2) and (3), from Theorem 2.4. \square

For each $r \geq 0$, we let $\text{Hom}_K(A \otimes \bar{A}^{\otimes r}, M)$ denote the abelian group of right K -linear maps from $\bar{A}^{\otimes r}$ to M . Note that $\text{Hom}_K(A \otimes \bar{A}^{\otimes r}, M)$ is an E -bimodule via

$$(a\gamma(v) \cdot \alpha \cdot a'\gamma(v'))(\mathbf{a}_{0r}) := \sum_l \gamma(v^{(l)}) \alpha(a\mathbf{a}_{0r}^{(l)}) a'\gamma(v'),$$

where $\sum_l \mathbf{a}_{0r}^{(l)} \otimes_k v^{(l)} := \chi(v \otimes_k \mathbf{a}_{0r})$.

Remark 4.7. Note that

$$H^r(\widehat{X}^{**s}(M), \widehat{d}_0^{*s}) = H_K^r(A, \text{Hom}_A((E/A)^{\otimes^s_A}, M))$$

and

$$H^s(\widehat{X}^{r*}(M), \widehat{d}_1^{r*}) = H_A^s(E, \text{Hom}_K(A \otimes \overline{A}^{\otimes^r}, M)).$$

Remark 4.8. By item (3) of the above theorem, if \mathcal{F} takes its values in $K \otimes_k V$, then $(\widehat{X}^*(M), \widehat{d}^*)$ is the total complex of the double complex $(\widehat{X}^{**}(M), \widehat{d}_0^{**}, \widehat{d}_1^{**})$.

4.1. Comparison maps

Let $(\text{Hom}_{K^e}(\overline{E}^{\otimes^*}, M), b^*)$ be the normalized Hochschild cochain complex of the K -algebra E with coefficients in M . Recall that there is a canonical identification

$$(\text{Hom}_{K^e}(\overline{E}^{\otimes^*}, M), b^*) \simeq \text{Hom}_{E^e}((E \otimes \overline{E}^{\otimes^*} \otimes E, b'_*), M).$$

Let

$$\widehat{\phi}^*: (\text{Hom}_{K^e}(\overline{E}^{\otimes^*}, M), b^*) \longrightarrow (\widehat{X}^*(M), \widehat{d}^*)$$

and

$$\widehat{\psi}^*: (\widehat{X}^*(M), \widehat{d}^*) \longrightarrow (\text{Hom}_{K^e}(\overline{E}^{\otimes^*}, M), b^*)$$

be the morphisms of complexes induced by ϕ and ψ respectively. By Proposition 2.6 it is evident that $\widehat{\phi} \circ \widehat{\psi} = \text{id}$ and $\widehat{\psi} \circ \widehat{\phi}$ is homotopically equivalent to the identity map. A homotopy $\widehat{\omega}^{*+1}: \widehat{\psi}^* \circ \widehat{\phi}^* \rightarrow \text{id}^*$ is the family of maps

$$(\widehat{\omega}^{n+1}: \text{Hom}_{K^e}(\overline{E}^{\otimes^{n+1}}, M) \longrightarrow \text{Hom}_{K^e}(\overline{E}^{\otimes^n}, M))_{n \geq 0},$$

induced by $(\omega_{n+1}: E \otimes \overline{E}^{\otimes^n} \otimes E \longrightarrow E \otimes \overline{E}^{\otimes^{n+1}} \otimes E)_{n \geq 0}$.

4.2. The filtrations of $(\text{Hom}_{K^e}(\overline{E}^{\otimes^*}, M), b^*)$ and $(\widehat{X}^*(M), \widehat{d}^*)$

Let

$$F_i(\widehat{X}^n(M)) := \bigoplus_{s \geq i} \widehat{X}^{n-s, s}(M).$$

The complex $(\widehat{X}^*(M), \widehat{d}^*)$ is filtered by

$$F_0(\widehat{X}^*(M)) \supseteq F_1(\widehat{X}^*(M)) \supseteq F_2(\widehat{X}^*(M)) \supseteq F_3(\widehat{X}^*(M)) \supseteq F_4(\widehat{X}^*(M)) \supseteq \dots$$

Using this fact we obtain that there is a convergent spectral sequence

$$E_1^{rs} = H_K^r(A, \text{Hom}_A((E/A)^{\otimes^s_A}, M)) \implies H_K^{r+s}(E, M). \tag{4.10}$$

Let $F_i(\text{Hom}_{K^e}(\overline{E}^{\otimes^*}, M))$ be the k -submodule of $\text{Hom}_{K^e}(\overline{E}^{\otimes^*}, M)$ consisting of all the maps $\alpha \in \text{Hom}_{K^e}(\overline{E}^{\otimes^*}, M)$, such that $\alpha(F^i(\overline{E}^{\otimes^*})) = 0$. The normalized Hochschild complex

$(\text{Hom}_{K^e}(\overline{E}^{\otimes^*}, M), b^*)$ is filtered by

$$F_0(\text{Hom}_{K^e}(\overline{E}^{\otimes^*}, M)) \supseteq F_1(\text{Hom}_{K^e}(\overline{E}^{\otimes^*}, M)) \supseteq \dots \tag{4.11}$$

The spectral sequence associated to this filtration is called the cohomological Hochschild–Serre spectral sequence.

Proposition 4.9. *The maps $\widehat{\phi}$, $\widehat{\psi}$ and $\widehat{\omega}$ preserve filtrations.*

Proof. This follows immediately from Proposition 2.8. \square

Corollary 4.10. *The cohomological Hochschild–Serre spectral sequence is isomorphic to the spectral sequence (4.10).*

Proof. This follows immediately from Proposition 4.9 and the comments following Remark 4.8. \square

Corollary 4.11. *When $M = E$ the spectral sequence (4.10) is multiplicative.*

Proof. This follows from the previous corollary and the fact that the filtration (4.11) satisfies $F_m \check{F}_n \subseteq F_{m+n}$, where

$$(\beta \check{\beta}')(\mathbf{x}_{1,m+n}) := \beta(\mathbf{x}_{1m})\beta'(\mathbf{x}_{m+1,m+n}),$$

for $\beta \in \text{Hom}_{K^e}(\overline{E}^{\otimes^m}, E)$ and $\beta' \in \text{Hom}_{K^e}(\overline{E}^{\otimes^n}, E)$. \square

Proposition 4.12. *Let R be a K -subalgebra of A , stable under χ . Assume that \mathcal{F} takes its values in $R \otimes_k V$. Then, for each $\beta \in \text{Hom}_{K^e}(\overline{E}^{\otimes^n}, M)$, we have*

$$\widehat{\phi}(\beta)(\gamma_A(\mathbf{v}_{1i}) \otimes \mathbf{a}_{1,n-i}) = \beta(\text{Sh}(\mathbf{v}_{1i} \otimes_k \mathbf{a}_{1,n-i})) + \beta(\mathbf{x}),$$

with $\mathbf{x} \in F^{i-1}(\overline{E}^{\otimes^n}) \cap W_n^{\tau} \cap C_n^{\text{Rt}}$.

Proof. This follows immediately from Proposition A.5. \square

In the next proposition R_i^{τ} denotes $F^i(\overline{E}^{\otimes^n}) \setminus F^{i-1}(\overline{E}^{\otimes^n})$.

Proposition 4.13. *For all $\alpha \in \widehat{X}^{n-i,i}(M)$, the following equalities hold.*

- (1) $\widehat{\psi}(\alpha)(\gamma(\mathbf{v}_{1i}) \otimes \mathbf{a}_{i+1,n}) = \alpha(\gamma_A(\mathbf{v}_{1i}) \otimes \mathbf{a}_{i+1,n})$.
- (2) If $\mathbf{x}_{1n} \in R_i^{\tau} \cap W_n^{\tau}$ and there is $j \leq i$ such that $x_j \in A$, then $\widehat{\psi}(\alpha)(\mathbf{x}_{1n}) = 0$.

Proof. This follows immediately from items (1) and (2) of Proposition A.7. \square

5. The cup and cap products for Brzeziński’s crossed products

The aim of this section is to compute the cup product of $\text{HH}_K^*(E)$ in terms of $(\widehat{X}^*, \widehat{d}^*)$ and the cap product of $\text{H}_*^K(E, M)$ in terms of $(\widehat{X}^*, \widehat{d}^*)$ and $(\widehat{X}_*(M), \widehat{d}_*)$. First of all recall that by definition

– the cup product of $\text{HH}_K^*(E)$ is given in terms of $(\text{Hom}_{K^e}(\overline{E}^{\otimes^*}, E), b^*)$, by

$$(\beta \check{\beta}')(\mathbf{x}_{1,m+n}) := \beta(\mathbf{x}_{1m})\beta'(\mathbf{x}_{m+1,m+n}),$$

for $\beta \in \text{Hom}_{K^e}(\overline{E}^{\otimes^m}, E)$ and $\beta' \in \text{Hom}_{K^e}(\overline{E}^{\otimes^n}, E)$,

– the cap product

$$H_n^K(E, M) \times \text{HH}_K^m(E) \rightarrow H_{n-m}^K(E, M) \quad (m \leq n),$$

is defined in terms of $(M \otimes \overline{E}^{\otimes*} \otimes, b_*)$ and $(\text{Hom}_{K^e}(\overline{E}^{\otimes*}, E), b^*)$, by

$$\overline{m \otimes \mathbf{x}_{1n}} \frown \beta := \overline{m\beta(\mathbf{x}_{1m}) \otimes \mathbf{x}_{m+1,n}},$$

where $\beta \in \text{Hom}_{K^e}(\overline{E}^m, E)$. When $m > n$ we set $\overline{m \otimes \mathbf{x}_{1n}} \frown \beta := 0$.

Definition 5.1. For $\alpha \in \widehat{X}^{rs}$ and $\alpha' \in \widehat{X}^{r's'}$ we define $\alpha \bullet \alpha' \in \widehat{X}^{r+r',s+s'}$ by

$$(\alpha \bullet \alpha')(\gamma_A(\mathbf{v}_{1s''}) \otimes \mathbf{a}_{1r''}) := \sum_i (-1)^{s'r} \alpha(\gamma_A(\mathbf{v}_{1s}) \otimes \mathbf{a}_{1r}^{(i)}) \alpha'(\gamma_A(\mathbf{v}_{s+1,s''}) \otimes \mathbf{a}_{r+1,r''}),$$

where $r'' = r + r', s'' = s + s'$ and $\sum_i \mathbf{a}_{1r}^{(i)} \otimes_k \mathbf{v}_{s+1,s''}^{(i)} := \overline{\chi}(\mathbf{v}_{s+1,s''} \otimes \mathbf{a}_{1r})$.

Theorem 5.2. Let $\alpha \in \widehat{X}^{rs}, \alpha' \in \widehat{X}^{r's'}$ and $n := r + r' + s + s'$. Let R be a K -subalgebra of A , stable under χ . If \mathcal{F} takes its values in $R \otimes_k V$, then

$$\widehat{\phi}(\widehat{\psi}(\alpha) \frown \widehat{\psi}(\alpha')) = \alpha \bullet \alpha' \quad \text{modulo} \quad \bigoplus_{i>s+s'} \widehat{X}_{R(1)}^{n-i,i},$$

where $\widehat{X}_{R(1)}^{n-i,i}$ denotes the k -vector subspace of $\widehat{X}^{n-i,i}$ consisting of all the (A, K) -linear maps

$$\alpha : (E/A)^{\otimes_A} \otimes \overline{A}^{\otimes n-i} \rightarrow E,$$

that factorize throughout $A \otimes (W_n^r \cap C_n^{Rr})$, where W_n^r and C_n^{Rr} are as in Notations 4.5.

Proof. Let $r'', s'' \in \mathbb{N}$ such that $r'' + s'' = n$, and let $\gamma_A(\mathbf{v}_{1s''}) \otimes \mathbf{a}_{1r''} \in X_{r''s''}$. Set $T := \text{Sh}(\mathbf{v}_{1s''} \otimes_k \mathbf{a}_{1r''})$. By Proposition 4.12,

$$\widehat{\phi}(\widehat{\psi}(\alpha) \frown \widehat{\psi}(\alpha'))(\gamma_A(\mathbf{v}_{1s''}) \otimes \mathbf{a}_{1r''}) = (\widehat{\psi}(\alpha) \frown \widehat{\psi}(\alpha'))(T + \mathbf{x}),$$

with $\mathbf{x} \in F^{s''-1}(\overline{E}^{\otimes n}) \cap W_n^r \cap C_n^{Rr}$. Since, by Proposition 4.13,

- if $s'' \leq s + s'$, then $(\widehat{\psi}(\alpha) \frown \widehat{\psi}(\alpha'))(\mathbf{x}) = 0$,
- if $s'' \neq s + s'$, then $(\widehat{\psi}(\alpha) \frown \widehat{\psi}(\alpha'))(T) = 0$,
- if $s'' = s + s'$, then

$$(\widehat{\psi}(\alpha) \frown \widehat{\psi}(\alpha'))(T) = \sum_i (-1)^{s'r} \alpha(\gamma_A(\mathbf{v}_{1s}) \otimes \mathbf{a}_{1r}^{(i)}) \alpha'(\gamma_A(\mathbf{v}_{s+1,s''}) \otimes \mathbf{a}_{r+1,r''}),$$

where $\sum_i \mathbf{a}_{1r}^{(i)} \otimes_k \mathbf{v}_{s+1,s''}^{(i)} := \overline{\chi}(\mathbf{v}_{s+1,s''} \otimes \mathbf{a}_{1r})$,

the result follows. \square

Corollary 5.3. If \mathcal{F} takes its values in $K \otimes_k V$, then the cup product of $\text{HH}_K^*(E)$ is induced by the operation \bullet in $(\widehat{X}^*, \widehat{d}^*)$.

Proof. It follows from Theorem 5.2, since $\widehat{X}_{K(1)}^{n-i,i} = 0$ for all i . \square

Definition 5.4. Let $[m \otimes_A \gamma_A(\mathbf{v}_{1s}) \otimes \mathbf{a}_{1r}] \in \widehat{X}_{rs}(M)$ and $\alpha \in \widehat{X}^{r's'}$. If $r' \leq r$ and $s' \leq s$, then we define $[m \otimes_A \gamma_A(\mathbf{v}_{1s}) \otimes \mathbf{a}_{1r}] \bullet \alpha \in \widehat{X}_{r-r',s-s'}(M)$ by

$$[m \otimes_A \gamma_A(\mathbf{v}_{1s}) \otimes \mathbf{a}_{1r}] \bullet \alpha := \sum_i (-1)^{s''r'} [m\alpha(\gamma_A(\mathbf{v}_{1s'}) \otimes \mathbf{a}_{1r'}^{(i)}) \otimes_A \gamma_A(\mathbf{v}_{s'+1,s}) \otimes \mathbf{a}_{r'+1,r}],$$

where

$$s'' := s - s' \quad \text{and} \quad \sum_i \mathbf{a}_{1r'}^{(i)} \otimes_k \mathbf{v}_{s'+1,s}^{(i)} := \bar{\chi}(\mathbf{v}_{s'+1,s} \otimes \mathbf{a}_{1r'}).$$

Otherwise $[m \otimes_A \gamma_A(\mathbf{v}_{1s}) \otimes \mathbf{a}_{1r}] \bullet \alpha := 0$.

Theorem 5.5. *Let $[m \otimes_A \gamma_A(\mathbf{v}_{1s}) \otimes \mathbf{a}_{1r}] \in \widehat{X}_{rs}(M)$, $\alpha \in \widehat{X}^{r's'}$ and $n := r + s - r' - s'$. Let R be a K -subalgebra of A , stable under χ . If \mathcal{F} takes its values in $R \otimes_k V$, then*

$$\widehat{\psi}(\widehat{\phi}([m \otimes_A \gamma_A(\mathbf{v}_{1s}) \otimes \mathbf{a}_{1r}]) \frown \widehat{\psi}(\alpha)) = [m \otimes_A \gamma_A(\mathbf{v}_{1s}) \otimes \mathbf{a}_{1r}] \bullet \alpha$$

modulo

$$\bigoplus_{i < s-s'} \left(\widehat{X}_{n-i,i}^{R1}(M) + M\alpha(X_{r's'}^{Rr}) \otimes_A (E/A)^{\otimes_A^{s-s'}} \otimes \bar{A}^{\otimes r-r'} \right),$$

where $X_{r's'}^{Rr}$ denotes the k -vector subspace of $(E/A)^{\otimes_A^{s'}} \otimes \bar{A}^{\otimes r'}$ generated by all the simple tensors $m \otimes_A \bar{\mathbf{x}}_{1s'} \otimes \mathbf{a}_{1r'}$, with at least 1 of the a_j 's in \bar{R} .

Proof. By Proposition 3.11,

$$\widehat{\psi}(\widehat{\phi}([m \otimes_A \gamma_A(\mathbf{v}_{1s}) \otimes \mathbf{a}_{1r}]) \frown \widehat{\psi}(\alpha)) = \widehat{\psi}([m \otimes T] + [m \otimes \mathbf{x}_{1,r+s}]) \frown \widehat{\psi}(\alpha),$$

where

$$T := \text{Sh}(\mathbf{v}_{1s} \otimes_k \mathbf{a}_{1r}) \quad \text{and} \quad [m \otimes \mathbf{x}_{1,r+s}] \in F^{s-1}(M \otimes \bar{E}^{\otimes r+s}) \cap \bar{W}_{r+s} \cap \bar{C}_{r+s}^R.$$

Moreover, by Proposition 4.13, we know that

- if $s' > s$ or $r' > r$, then $[m \otimes T] \frown \widehat{\psi}(\alpha) = 0$,
- if $s' \leq s$ and $r' \leq r$, then

$$[m \otimes T] \frown \widehat{\psi}(\alpha) = \sum_i (-1)^{r's'} m \otimes \alpha(\mathbf{v}_{1s'} \otimes \mathbf{a}_{1r'}^{(i)}) \otimes \text{Sh}(\mathbf{v}_{s'+1,s}^{(i)} \otimes_k \mathbf{a}_{r'+1,r}),$$

where $\sum_i \mathbf{a}_{1r'}^{(i)} \otimes_k \mathbf{v}_{s'+1,s}^{(i)} := \bar{\chi}(\mathbf{v}_{s'+1,s} \otimes_k \mathbf{a}_{1r'})$,

- if $s' \geq s$, then $[m \otimes \mathbf{x}_{1,r+s}] \frown \widehat{\psi}(\alpha) = 0$,
- if $s' < s$, then

$$[m \otimes \mathbf{x}_{1,r+s}] \frown \widehat{\psi}(\alpha) \in F^{s-s'-1}(M \otimes \bar{E}^{\otimes n}) \cap \bar{W}_n \cap (\bar{C}_n^R + G_n),$$

where $G_n := M\widehat{\psi}(\alpha)(\bar{C}_{r'+s'}^{Rr}) \otimes \bar{E}^{\otimes n}$.

Now, in order to finish the proof it suffices to apply items (1) and (2) of Proposition 3.12. \square

Corollary 5.6. *If \mathcal{F} takes its values in $K \otimes_k V$, then in terms of the complexes $(\widehat{X}_*(M), \widehat{d}_*)$ and $(\widehat{X}^*, \widehat{d}^*)$, the cap product*

$$\mathbb{H}_n^K(E, M) \times \text{HH}_K^m(E) \rightarrow \mathbb{H}_{n-m}^K(E, M),$$

is induced by \bullet .

Proof. It follows immediately from the previous theorem. \square

6. Cyclic homology of Brzeziński’s crossed products

The aim of this section is to construct a mixed complex computing the cyclic homology of E , whose underlying Hochschild complex is $(\widehat{X}_*, \widehat{d}_*)$.

Lemma 6.1. *Let $B_* : E \otimes \overline{E}^{\otimes*} \otimes \rightarrow E \otimes \overline{E}^{\otimes*+1} \otimes$ be the Connes operator. The composition $B \circ \widehat{\omega} \circ B \circ \widehat{\phi}$ is the zero map.*

Proof. Let $\mathbf{x} := [x_0 \otimes_A \gamma_A(\mathbf{v}_{1i}) \otimes \mathbf{a}_{1,n-i}] \in \widehat{X}_{n-i,i}$. By Proposition 3.11, we know that

$$\widehat{\phi}(\mathbf{x}) \in F^i(E \otimes \overline{E}^{\otimes n}) \cap \overline{W}_n.$$

Hence

$$B \circ \widehat{\phi}(\mathbf{x}) \in (K \otimes \overline{E}^{\otimes n+1} \otimes) \cap F^{i+1}(E \otimes \overline{E}^{\otimes n+1} \otimes) \cap \overline{W}'_{n+1},$$

and so, by Proposition 3.13

$$\widehat{\omega} \circ B \circ \widehat{\phi}(\mathbf{x}) \in (K \otimes \overline{E}^{\otimes n+1} \otimes) \cap F^{i+1}(E \otimes \overline{E}^{\otimes n+1} \otimes) \cap \overline{W}_{n+2} \subseteq \ker B,$$

as desired. \square

For each $n \geq 0$, let $\widehat{D}_n : \widehat{X}_n \rightarrow \widehat{X}_{n+1}$ be the map $\widehat{D} := \widehat{\psi} \circ B \circ \widehat{\phi}$.

Theorem 6.2. $(\widehat{X}_*, \widehat{d}_*, \widehat{D}_*)$ is a mixed complex that yields the Hochschild, cyclic, negative and periodic homologies of the K -algebra E . Moreover we have chain complexes maps

$$\text{Tot}(\text{BP}(\widehat{X}_*, \widehat{d}_*, \widehat{D}_*)) \begin{matrix} \xleftarrow{\widehat{\psi}} \\ \xrightarrow{\widehat{\phi}} \end{matrix} \text{Tot}(\text{BP}(E \otimes \overline{E}^{\otimes*} \otimes, b_*, B_*)),$$

given by

$$\widehat{\Phi}_n(\mathbf{x}u^i) := \widehat{\phi}(\mathbf{x})u^i + \widehat{\omega} \circ B \circ \widehat{\phi}(\mathbf{x})u^{i-1} \quad \text{and} \quad \widehat{\Psi}_n(\mathbf{x}u^i) := \sum_{j \geq 0} \widehat{\psi} \circ (B \circ \widehat{\omega})^j(\mathbf{x})u^{i-j}.$$

These maps satisfy $\widehat{\psi} \circ \widehat{\phi} = \text{id}$ and $\widehat{\phi} \circ \widehat{\psi}$ is homotopically equivalent to the identity map. A homotopy $\widehat{\Omega}_{*+1} : \widehat{\Phi}_* \circ \widehat{\Psi}_* \rightarrow \text{id}_*$ is given by

$$\widehat{\Omega}_{n+1}(\mathbf{x}u^i) := \sum_{j \geq 0} \widehat{\omega} \circ (B \circ \widehat{\omega})^j(\mathbf{x})u^{i-j}.$$

Proof. This result generalizes [8, Theorem 2.4], and the proof given in that paper works in our setting. \square

Remark 6.3. If K is a separable k -algebra, then $(\widehat{X}_*, \widehat{d}_*, \widehat{D}_*)$ is a mixed complex that gives the Hochschild, cyclic, negative and periodic absolute homologies of E .

In the next proposition we use the notation $F_R^j(\widehat{X}_n) := F^j(\widehat{X}_n) \cap \widehat{X}_n^{R1}(E)$ introduced above Proposition 3.12.

Proposition 6.4. *Let R be a K -subalgebra of A , stable under χ , such that \mathcal{F} takes its values in $R \otimes_k V$. The Connes operator \widehat{D} satisfies the following.*

(1) If $\mathbf{x} = [a_0 \gamma_A(\mathbf{v}_0) \otimes \mathbf{a}_{1,n-i}]$, then

$$\widehat{D}(\mathbf{x}) = \sum_{j=0}^i \sum_l (-1)^{i+j} [1 \otimes_A \gamma_A(\mathbf{v}_{j+1,i}^{(l)}) \otimes_A a_0 \gamma_A(\mathbf{v}_0) \otimes \mathbf{a}_{1,n-i}^{(l)}],$$

modulo $F_R^i(\widehat{X}_{n+1})$, where $\sum_l \mathbf{a}_{1,n-i}^{(l)} \otimes_k \mathbf{v}_{j+1,i}^{(l)} := \overline{\chi}(\mathbf{v}_{j+1,i} \otimes_k \mathbf{a}_{1,n-i})$.

(2) If $\mathbf{x} = [a_0 \otimes_A \gamma_A(\mathbf{v}_1) \otimes \mathbf{a}_{1,n-i}]$, then

$$\widehat{D}(\mathbf{x}) = \sum_{j=0}^{n-i} \sum_l (-1)^{jn+ji+n} [1 \otimes_A \gamma_A(\mathbf{v}_{1i}^{(l)}) \otimes \mathbf{a}_{j+1,n-i} \otimes a_0 \otimes \mathbf{a}_{1j}^{(l)}],$$

modulo $F_R^{i-1}(\widehat{X}_{n+1})$, where $\sum_l \mathbf{a}_{1j}^{(l)} \otimes_k \mathbf{v}_{1i}^{(l)} := \overline{\chi}(\mathbf{v}_{1i} \otimes_k \mathbf{a}_{1j})$.

Proof. (1) We must compute $\widehat{D}(\mathbf{x}) = \widehat{\psi} \circ B \circ \widehat{\phi}(\mathbf{x})$. By Proposition 3.11,

$$\widehat{D}(\mathbf{x}) = \widehat{\psi} \circ B([a_0 \gamma(v_0) \otimes \text{Sh}(\mathbf{v}_{1i} \otimes_k \mathbf{a}_{1,n-i})]) + \widehat{\psi} \circ B([a_0 \gamma(v_0) \otimes \mathbf{x}]$$

where $[a_0 \gamma(v_0) \otimes \mathbf{x}] \in F^{i-1}(E \otimes \overline{E}^{\otimes n} \otimes) \cap \overline{W}_n \cap \overline{C}_n^R$. Now

- $B([a_0 \gamma(v_0) \otimes \text{Sh}(\mathbf{v}_{1i} \otimes_k \mathbf{a}_{1,n-i})])$ is a sum of classes in $E \otimes \overline{E}^{\otimes n+1} \otimes$ of simple tensors $1 \otimes \mathbf{y}_{1,n+1}$, with $n - i$ of the y_j 's in $i_{\overline{A}}(\overline{A})$, i of the y_j 's in \mathcal{V}_K and one $y_j \notin i_{\overline{A}}(\overline{A}) \cup \mathcal{V}_K$,
- $B([a_0 \gamma(v_0) \otimes \mathbf{x}])$ is a sum of classes in $E \otimes \overline{E}^{\otimes n+1} \otimes$ of simple tensors $1 \otimes \mathbf{z}_{1,n+1}$, with at least $n - i + 1$ of the z_j 's in $i_{\overline{A}}(\overline{A})$ and exactly one z_j in $\overline{E} \setminus (i_{\overline{A}}(\overline{A}) \cup \mathcal{V}_K)$.

The result follows now easily from the definition of Sh and items (3)–(6) of Proposition 3.12.

(2) As in the proof of item (1) we have

$$\widehat{D}(\mathbf{x}) = \widehat{\psi} \circ B([a_0 \otimes \text{Sh}(\mathbf{v}_{1i} \otimes_k \mathbf{a}_{1,n-i})]) + \widehat{\psi} \circ B([a_0 \otimes \mathbf{x}]$$

where $[a_0 \otimes \mathbf{x}] \in F^{i-1}(E \otimes \overline{E}^{\otimes n} \otimes) \cap \overline{W}_n \cap \overline{C}_n^R$. Now

- $B([a_0 \otimes \text{Sh}(\mathbf{v}_{1i} \otimes_k \mathbf{a}_{1,n-i})])$ is a sum of classes in $E \otimes \overline{E}^{\otimes n+1} \otimes$ of simple tensors $1 \otimes \mathbf{y}_{1,n+1}$, with $n - i + 1$ of the y_j 's in $i_{\overline{A}}(\overline{A})$ and i of the y_j 's in \mathcal{V}_K ,
- $B([a_0 \otimes \mathbf{x}])$ is a sum of classes in $E \otimes \overline{E}^{\otimes n+1} \otimes$ of simple tensors $1 \otimes \mathbf{z}_{1,n+1}$, with each z_j in $i_{\overline{A}}(\overline{A}) \cup \mathcal{V}_K$ and at least $n - i + 2$ of the z_j 's in $i_{\overline{A}}(\overline{A})$.

The result now follows easily from the definition of Sh and items (1) and (2) of Proposition 3.12. \square

Corollary 6.5. If $K = A$, then $(\widehat{X}_*, \widehat{d}_*, \widehat{D}_*) = (\widehat{X}_{0*}, \widehat{d}_{0*}^1, \widehat{D}_{0*})$, where

$$\widehat{D}_{0n}([a \gamma_A(\mathbf{v}_{0n})]) = \sum_{j=0}^n (-1)^{n+jn} [1 \otimes_A \gamma_A(\mathbf{v}_{j+1,n}) \otimes_A a \gamma_A(\mathbf{v}_0)].$$

6.1. The spectral sequences

The first of the following spectral sequences generalizes those obtained in [8, Section 3.1] and [24, Theorem 4.7], while the third one generalizes those obtained in [1,20] and [8, Section 3.2]. Let

$$\widehat{d}_{rs}^0 : \widehat{X}_{rs} \rightarrow \widehat{X}_{r-1,s} \quad \text{and} \quad \widehat{d}_{rs}^1 : \widehat{X}_{rs} \rightarrow \widehat{X}_{r,s-1}$$

be as at the beginning of Section 3 and let

$$\widehat{D}_{r,s}^0 : \widehat{X}_{r,s} \rightarrow \widehat{X}_{r,s+1}$$

be the map defined by

$$\widehat{D}^0([\mathbf{a}_0 \gamma_A(\mathbf{v}_0) \otimes \mathbf{a}_1 r]) = \sum_{j=0}^s \sum_l (-1)^{s+j} [1 \otimes_A \gamma_A(\mathbf{v}_{j+1,s}^{(l)}) \otimes_A \mathbf{a}_0 \gamma_A(\mathbf{v}_0) \otimes \mathbf{a}_1 r],$$

where $\sum_l \mathbf{a}_1 r \otimes_k \mathbf{v}_{j+1,s}^{(l)} = \bar{\chi}(\mathbf{v}_{j+1,s} \otimes_k \mathbf{a}_1 r)$.

6.1.1. The first spectral sequence

Recall from Remark 3.7 that

$$H_r(\widehat{X}_{*s}, \widehat{d}_{*s}^0) = H_r^K(A, E \otimes_A (E/A)^{\otimes_A^s}).$$

Let

$$\check{d}_{r,s} : H_r^K(A, E \otimes_A (E/A)^{\otimes_A^s}) \longrightarrow H_r^K(A, E \otimes_A (E/A)^{\otimes_A^{s-1}})$$

and

$$\check{D}_{r,s} : H_r^K(A, E \otimes_A (E/A)^{\otimes_A^s}) \longrightarrow H_r^K(A, E \otimes_A (E/A)^{\otimes_A^{s+1}})$$

be the maps induced by \widehat{d}^1 and \widehat{D}^0 , respectively.

Proposition 6.6. For each $r \geq 0$,

$$\check{H}_r^K(A, E \otimes_A (E/A)^{\otimes_A^*}) := \left(H_r^K(A, E \otimes_A (E/A)^{\otimes_A^*}), \check{d}_{r*}, \check{D}_{r*} \right)$$

is a mixed complex and there is a convergent spectral sequence

$$(\mathcal{E}_{sr}^v, d_{sr}^v)_{v \geq 0} \implies \text{HC}_{r+s}^K(E),$$

such that $\mathcal{E}_{sr}^2 = \text{HC}_s(\check{H}_r^K(A, E \otimes_A (E/A)^{\otimes_A^*}))$ for all $r, s \geq 0$.

Proof. For each $s, n \geq 0$, let

$$\mathcal{F}^s(\text{Tot}(\text{BC}(\widehat{X}, \widehat{d}, \widehat{D})_n)) := \bigoplus_{j \geq 0} F^{s-2j}(\widehat{X}_{n-2j})u^j,$$

where $F^{s-2j}(\widehat{X}_{n-2j})$ is the filtration introduced in Section 3.2. Consider the spectral sequence $(\mathcal{E}_{sr}^v, d_{sr}^v)_{v \geq 0}$, associated with the filtration

$$\mathcal{F}^0(\text{Tot}(\text{BC}(\widehat{X}_*, \widehat{d}_*, \widehat{D}_*))) \subseteq \mathcal{F}^1(\text{Tot}(\text{BC}(\widehat{X}_*, \widehat{d}_*, \widehat{D}_*))) \subseteq \dots$$

of $\text{Tot}(\text{BC}(\widehat{X}_*, \widehat{d}_*, \widehat{D}_*))$. A straightforward computation shows that

- $\mathcal{E}_{sr}^0 = \bigoplus_{j \geq 0} \widehat{X}_{r,s-2j}u^j$,
- $d_{sr}^0 : \mathcal{E}_{sr}^0 \rightarrow \mathcal{E}_{s,r-1}^0$ is $\bigoplus_{j \geq 0} \widehat{d}_{r,s-2j}^0 u^j$,

$$\begin{aligned}
 - \mathcal{E}_{sr}^1 &= \bigoplus_{j \geq 0} \mathrm{H}_r(\widehat{X}_{*,s-2j}, \widehat{d}_{*,s-2j}^0)u^j, \\
 - d_{sr}^1 : \mathcal{E}_{sr}^1 &\rightarrow \mathcal{E}_{s-1,r}^1 \text{ is } \bigoplus_{j \geq 0} \check{d}_{r,s-2j}u^j + \bigoplus_{j \geq 0} \check{D}_{r,s-2j}u^{j-1}.
 \end{aligned}$$

From this it follows easily that $\check{\mathrm{H}}_r^K(A, E \otimes_A (E/A)^{\otimes_A^*})$ is a mixed complex and

$$\mathcal{E}_{sr}^2 = \mathrm{HC}_s(\check{\mathrm{H}}_r^K(A, E \otimes_A (E/A)^{\otimes_A^*})).$$

In order to finish the proof note that the filtration of $\mathrm{Tot}(\mathrm{BC}(\widehat{X}_*, \widehat{d}_*, \widehat{D}_*))$ introduced above is canonically bounded, and so, by Theorem 6.2, the spectral sequence $(\mathcal{E}_{sr}^v, d_{sr}^v)_{v \geq 0}$ converges to the cyclic homology of the K -algebra E . \square

6.1.2. The second spectral sequence

For each $s \geq 0$, we consider the double complex

$$\begin{array}{ccccccc}
 & \vdots & & \vdots & & \vdots & & \vdots \\
 & \downarrow \widehat{d}^0 & & \downarrow \widehat{d}^0 & & \downarrow \widehat{d}^0 & & \downarrow \widehat{d}^0 \\
 & \widehat{X}_{3s}u^0 & \xleftarrow{\widehat{D}^0} & \widehat{X}_{3,s-1}u^1 & \xleftarrow{\widehat{D}^0} & \widehat{X}_{3,s-2}u^2 & \xleftarrow{\widehat{D}^0} & \widehat{X}_{3,s-3}u^3 \\
 \widehat{\Xi}_s = & \downarrow \widehat{d}^0 & & \downarrow \widehat{d}^0 & & \downarrow \widehat{d}^0 & & \\
 & \widehat{X}_{2s}u^0 & \xleftarrow{\widehat{D}^0} & \widehat{X}_{2,s-1}u^1 & \xleftarrow{\widehat{D}^0} & \widehat{X}_{2,s-2}u^2 & & \\
 & \downarrow \widehat{d}^0 & & \downarrow \widehat{d}^0 & & & & \\
 & \widehat{X}_{1s}u^0 & \xleftarrow{\widehat{D}^0} & \widehat{X}_{1,s-1}u^1 & & & & \\
 & \downarrow \widehat{d}^0 & & & & & & \\
 & \widehat{X}_{0s}u^0 & & & & & &
 \end{array}$$

where the module $\widehat{X}_{0s}u^0$ is placed in the intersection of the 0-th column and the 0-th row.

Proposition 6.7. *There is a convergent spectral sequence*

$$(E_{sr}^v, \partial_{sr}^v)_{v \geq 0} \implies \mathrm{HC}_{r+s}^K(E),$$

such that $E_{sr}^1 = \mathrm{H}_r(\mathrm{Tot}(\widehat{\Xi}_s))$ for all $r, s \geq 0$.

Proof. For each $s, n \geq 0$, let

$$F^s(\mathrm{Tot}(\mathrm{BC}(\widehat{X}, \widehat{d}, \widehat{D})_n)) := \bigoplus_{j \geq 0} F^{s-j}(\widehat{X}_{n-2j})u^j,$$

where $F^{s-j}(\widehat{X}_{n-2j})$ is the filtration introduced in Section 3.2. Consider the spectral sequence $(E_{sr}^v, \partial_{sr}^v)_{v \geq 0}$, associated with the filtration

$$F^0(\mathrm{Tot}(\mathrm{BC}(\widehat{X}_*, \widehat{d}_*, \widehat{D}_*))) \subseteq F^1(\mathrm{Tot}(\mathrm{BC}(\widehat{X}_*, \widehat{d}_*, \widehat{D}_*))) \subseteq \dots$$

of $\mathrm{Tot}(\mathrm{BC}(\widehat{X}_*, \widehat{d}_*, \widehat{D}_*))$. By definition

$$E_{sr}^0 = \widehat{X}_{rs}u^0 \oplus \widehat{X}_{r-1,s-1}u \oplus \widehat{X}_{r-2,s-2}u^2 \oplus \widehat{X}_{r-3,s-3}u^3 \oplus \dots$$

and the boundary map $\partial_{sr}^0 : E_{sr}^0 \rightarrow E_{s,r-1}^0$ is induced by $\widehat{d} + \widehat{D}$. Consequently, by Theorem 3.6 and item (1) of Proposition 6.4,

$$(E_{s*}^0, \partial_{s*}^0) = \text{Tot}(\widehat{\Xi}_s) \quad \text{for all } s \geq 0,$$

and so $E_{sr}^1 = H_r(\text{Tot}(\widehat{\Xi}_s))$ as desired. Finally, it is clear that $(E_{sr}^v, \partial_{sr}^v)_{v \geq 0}$ converges to $\text{HC}_{r+s}^K(E)$. \square

6.1.3. The third spectral sequence

Assume that \mathcal{F} takes its values in $K \otimes_k V$. Recall from Remark 3.7 that

$$H_s(\widehat{X}_{r*}, \widehat{d}_{r*}^1) = H_s^A(E, A \otimes \overline{A}^{\otimes r} \otimes E).$$

Let

$$\check{d}_{rs} : H_s^A(E, A \otimes \overline{A}^{\otimes r} \otimes E) \longrightarrow H_s^A(E, A \otimes \overline{A}^{\otimes r-1} \otimes E)$$

and

$$\check{D}_{rs} : H_s^A(E, A \otimes \overline{A}^{\otimes r} \otimes E) \longrightarrow H_s^A(E, A \otimes \overline{A}^{\otimes r+1} \otimes E)$$

be the maps induced by \widehat{d}^0 and \widehat{D}^0 , respectively.

Proposition 6.8. For each $s \geq 0$,

$$\check{H}_s^A(E, A \otimes \overline{A}^{\otimes*} \otimes E) := \left(H_s^A(E, A \otimes \overline{A}^{\otimes*} \otimes E), \check{d}_{*s}, \check{D}_{*s} \right)$$

is a mixed complex and there is a convergent spectral sequence

$$(\mathfrak{E}_{rs}^v, \mathfrak{D}_{rs}^v)_{v \geq 0} \implies \text{HC}_{r+s}^K(E),$$

such that $\mathfrak{E}_{rs}^2 = \text{HC}_r(\check{H}_s^A(E, A \otimes \overline{A}^{\otimes*} \otimes E))$ for all $r, s \geq 0$.

Proof. For each $r, n \geq 0$, let

$$\mathfrak{F}^r(\text{Tot}(\text{BC}(\widehat{X}, \widehat{d}, \widehat{D})_n)) := \bigoplus_{j \geq 0} \mathfrak{F}^{r-j}(\widehat{X}_{n-2j})u^j,$$

where

$$\mathfrak{F}^{r-j}(\widehat{X}_{n-2j}) := \bigoplus_{i \leq r-j} \widehat{X}_{i,n-i-2j}.$$

Consider the spectral sequence $(\mathfrak{E}_{rs}^v, \mathfrak{D}_{rs}^v)_{v \geq 0}$, associated with the filtration

$$\mathfrak{F}^0(\text{Tot}(\text{BC}(\widehat{X}_*, \widehat{d}_*, \widehat{D}_*))) \subseteq \mathfrak{F}^1(\text{Tot}(\text{BC}(\widehat{X}_*, \widehat{d}_*, \widehat{D}_*))) \subseteq \dots$$

of $\text{Tot}(\text{BC}(\widehat{X}_*, \widehat{d}_*, \widehat{D}_*))$. A straightforward computation shows that

- $\mathfrak{E}_{rs}^0 = \bigoplus_{j \geq 0} \widehat{X}_{r-j,s-j}u^j$,
- $\mathfrak{D}_{rs}^0 : \mathfrak{E}_{rs}^0 \rightarrow \mathfrak{E}_{r,s-1}^0$ is $\bigoplus_{j \geq 0} \widehat{d}_{r-j,s-j}^1u^j$,
- $\mathfrak{E}_{rs}^1 = \bigoplus_{j \geq 0} H_s(\widehat{X}_{r-j,*-j}, \widehat{d}_{r-j,*-j}^1)u^j$,
- $\mathfrak{D}_{rs}^1 : \mathfrak{E}_{rs}^1 \rightarrow \mathfrak{E}_{r-1,s}^1$ is $\bigoplus_{j \geq 0} \check{d}_{r-j,s-j}u^j + \bigoplus_{j \geq 0} \check{D}_{r-j,s-j}u^{s-j}$.

From this it follows easily that $\check{H}_s^A(E, A \otimes \overline{A}^{\otimes*} \otimes E)$ is a mixed complex,

$$\mathfrak{E}_{rs}^1 = H_s^A(E, A \otimes \overline{A}^{\otimes r} \otimes E) \quad \text{and} \quad \mathfrak{E}_{rs}^2 = \text{HC}_r(\check{H}_s^A(E, A \otimes \overline{A}^{\otimes*} \otimes E)).$$

In order to finish the proof note that the filtration of $\text{Tot}(\text{BC}(\widehat{X}_*, \widehat{d}_*, \widehat{D}_*))$ introduced above is canonically bounded, and so, by [Theorem 6.2](#), the spectral sequence $(\mathfrak{E}_{sr}^v, \delta_{sr}^v)_{v \geq 0}$ converges to the cyclic homology of the K -algebra E . \square

6.1.4. The fourth spectral sequence

Assume that \mathcal{F} takes its values in $K \otimes_k V$. Then the mixed complex $(\widehat{X}_*, \widehat{d}_*, \widehat{D}_*)$ is filtrated by

$$\mathcal{F}^0(\widehat{X}_*, \widehat{d}_*, \widehat{D}_*) \subseteq \mathcal{F}^1(\widehat{X}_*, \widehat{d}_*, \widehat{D}_*) \subseteq \mathcal{F}^2(\widehat{X}_*, \widehat{d}_*, \widehat{D}_*) \subseteq \dots, \tag{6.12}$$

where

$$\mathcal{F}^r(\widehat{X}_n) := \bigoplus_{i \leq r} \widehat{X}_{i, n-i}.$$

Hence, for each $r \geq 1$, we can consider the quotient mixed complex

$$\widehat{\mathfrak{X}}^r := \frac{\mathcal{F}^r(\widehat{X}_*, \widehat{d}_*, \widehat{D}_*)}{\mathcal{F}^{r-1}(\widehat{X}_*, \widehat{d}_*, \widehat{D}_*)}.$$

It is easy to check that the Hochschild boundary map of $\widehat{\mathfrak{X}}^r$ is $\widehat{d}_{r*}^1: \widehat{X}_{r*} \rightarrow \widehat{X}_{r, *-1}$ and that, by item (1) of [Proposition 6.4](#), its Connes operator is $\widehat{D}_{rs}^0: \widehat{X}_{rs} \rightarrow \widehat{X}_{r, s+1}$.

Proposition 6.9. *There is a convergent spectral sequence*

$$(\mathcal{E}_{rs}^v, \delta_{rs}^v)_{v \geq 0} \implies \text{HC}_{r+s}^K(E),$$

such that $\mathcal{E}_{rs}^1 = \text{HC}_s(\widehat{\mathfrak{X}}^r)$ for all $r, s \geq 0$.

Proof. Let $(\mathcal{E}_{rs}^v, \delta_{rs}^v)_{v \geq 0}$ be the spectral sequence associated with the filtration

$$\mathcal{F}^0(\text{Tot}(\text{BC}(\widehat{X}_*, \widehat{d}_*, \widehat{D}_*))) \subseteq \mathcal{F}^1(\text{Tot}(\text{BC}(\widehat{X}_*, \widehat{d}_*, \widehat{D}_*))) \subseteq \dots,$$

of $\text{Tot}(\text{BC}(\widehat{X}_*, \widehat{d}_*, \widehat{D}_*))$, induced by (6.12). It is evident that

$$\mathcal{F}^r(\text{Tot}(\text{BC}(\widehat{X}, \widehat{d}, \widehat{D})))_n = \bigoplus_{j \geq 0} \mathcal{F}^r(\widehat{X}_{n-2j})u^j.$$

Hence,

$$\mathcal{E}_{rs}^0 = \widehat{X}_{rs}u^0 \oplus \widehat{X}_{r, s-2}u \oplus \widehat{X}_{r, s-4}u^2 \oplus \widehat{X}_{r, s-6}u^3 \oplus \dots$$

and $\delta_{rs}^0: \mathcal{E}_{rs}^0 \rightarrow \mathcal{E}_{r, s-1}^0$ is the map induced by $\widehat{d} + \widehat{D}$. Consequently,

$$(\mathcal{E}_{rs}^0, \delta_{rs}^0) = \text{Tot}(\text{BC}(\widehat{\mathfrak{X}}^r)),$$

and so $\mathcal{E}_{rs}^1 = \text{HC}_s(\widehat{\mathfrak{X}}^r)$ as desired. Finally, it is clear that $(\mathcal{E}_{rs}^v, \delta_{rs}^v)_{v \geq 0}$ converges to $\text{HC}_{r+s}^K(E)$. \square

7. Hochschild homology of cleft braided Hopf crossed products

Let $E := A\#_f H$ be the braided Hopf crossed product associated with a triple (s, ρ, f) , consisting of a transposition $s : H \otimes_k A \rightarrow A \otimes_k H$, a weak s -action ρ of H on A , and a normal cocycle $f : H \otimes_k H \rightarrow A$, compatible with s , that satisfies the twisted module condition. Let K be a subalgebra of A stable under s and ρ , and let M be an E -bimodule. In this section we show that if H is a Hopf algebra and E is cleft, then the complex $(\widehat{X}_*(M), \widehat{d}_*)$ of Section 3 is isomorphic to a simpler complex $(\overline{X}_*(M), \overline{d}_*)$. In the sequel we will use the following notations:

(1) For $s \geq 1$, we let $pc_s : H^{\otimes_k^{2s}} \rightarrow H^{\otimes_k^{2s}}$ denote the map recursively defined by

$$pc_1 := \text{id},$$

$$pc_s := (H \otimes_k pc_{s-1} \otimes_k H) \circ (H \otimes_k c^{\otimes_k^{s-1}} \otimes_k H).$$

(2) For $s \geq 1$ we let $H^{\otimes_c^s}$ denote the coalgebra with underlying space $H^{\otimes_k^s}$, comultiplication $\Delta_{H^{\otimes_c^s}} := pc_s \circ \Delta^{\otimes_k^s}$ and counit $\varepsilon_{H^{\otimes_c^s}} := \varepsilon^{\otimes_k^s}$. Note that $\Delta^{\otimes_k^s}$ induces a k -linear map from $\overline{H}^{\otimes_k^s}$ to $\overline{H}^{\otimes_k^s} \otimes_k \overline{H}^{\otimes_k^s}$, which we will also denote with the symbol $\Delta_{H^{\otimes_c^s}}$. A similar remark is valid for the maps s_{sr} , gc_s and c_{sr} introduced below.

(3) Let $\widehat{s} : H \otimes_k E \rightarrow E \otimes_k H$ be as in Example 1.14. For each $s \geq 1$, we let $p\widehat{s}_s : (E \otimes_k H)^{\otimes_k^s} \rightarrow E^{\otimes_k^s} \otimes_k H^{\otimes_k^s}$ denote the map recursively defined by

$$p\widehat{s}_1 := \text{id},$$

$$p\widehat{s}_s := (E \otimes_k p\widehat{s}_{s-1} \otimes_k H) \circ (E \otimes_k \widehat{s}^{\otimes_k^{s-1}} \otimes_k H).$$

(4) For $s, r \geq 1$, we let $s_{sr} : H^{\otimes_k^s} \otimes_k A^{\otimes_r} \rightarrow A^{\otimes_r} \otimes_k H^{\otimes_k^s}$ denote the map recursively defined by:

$$s_{11} := s,$$

$$s_{1,r+1} := (A^{\otimes_r} \otimes_k s) \circ (s_{1r} \otimes_k A),$$

$$s_{s+1,r} := (s_{1r} \otimes_k H^{\otimes_k^s}) \circ (V \otimes_k s_{sr}).$$

(5) For $s \geq 2$, we let $gc_s : H^{\otimes_k^s} \rightarrow H^{\otimes_k^s}$ denote the map recursively defined by:

$$gc_2 := c,$$

$$gc_{s+1} := (H \otimes_k gc_s) \circ c_{s1},$$

where $c_{sr} : H^{\otimes_k^r} \otimes_k H^{\otimes_k^s} \rightarrow H^{\otimes_k^s} \otimes_k H^{\otimes_k^r}$ is the map obtained by mimicking the definition of s_{sr} , but using c instead of s .

(6) Let $[M \otimes \overline{A}^{\otimes_r}, K]_H \otimes_k \overline{H}^{\otimes_k^s}$ be the k -vector subspace of $M \otimes \overline{A}^{\otimes_r} \otimes_k \overline{H}^{\otimes_k^s}$ generated by the commutators

$$\lambda m \otimes \mathbf{a}_{1r} \otimes_k \mathbf{h}_{1s} - \sum_i m \otimes \mathbf{a}_{1r} \lambda^{(i)} \otimes_k \mathbf{h}_{1s}^{(i)} \quad \text{with } \lambda \in K,$$

where

$$\sum_i \lambda^{(i)} \otimes_k \mathbf{h}_{1s}^{(i)} := s(\mathbf{h}_{1s} \otimes_k \lambda).$$

Given $m \in M$, $\mathbf{a}_{1r} \in \overline{A}^{\otimes r}$ and $\mathbf{h}_{1s} \in \overline{H}^{\otimes_k^s}$, we let $[m \otimes \mathbf{a}_{1r}]_H \otimes_k \mathbf{h}_{1s}$ denote the class of $m \otimes \mathbf{a}_{1r} \otimes_k \mathbf{h}_{1s}$ in

$$\overline{X}_{rs}(M) := \frac{M \otimes \overline{A}^{\otimes r} \otimes_k \overline{H}^{\otimes_k^s}}{[M \otimes \overline{A}^{\otimes r}, K]_H \otimes_k \overline{H}^{\otimes_k^s}}.$$

Remark 7.1. Note the following.

- (1) The map pc_s acts over each element $(h_1 \otimes_k l_1) \otimes_k \cdots \otimes_k (h_s \otimes_k l_s)$ of $H^{\otimes_k^{2s}}$, carrying the l_i 's to the right by means of reiterated applications of c .
- (2) The map ps_s acts over each element $(a_1 \# h_1 \otimes_k l_1) \otimes_k \cdots \otimes_k (a_s \# h_s \otimes_k l_s)$ of $(E \otimes_k H)^{\otimes_k^s}$, carrying the l_i 's to the right by means of reiterated applications of \widehat{s} .
- (3) The map ss_r acts over each element $\mathbf{h}_{1s} \otimes_k \mathbf{a}_{1r}$ of $H^{\otimes_k^s} \otimes_k A^{\otimes r}$, carrying the h_i 's to the right by means of reiterated applications of s .
- (4) The map gc_s acts over each element \mathbf{h}_{1s} of $H^{\otimes_k^s}$, carrying the i -th factor to the $s - i + 1$ -place by means of reiterated applications of c .
- (5) If the restriction of s to $H \otimes_k K$ is the flip, then

$$\overline{X}_{rs}(M) = \frac{M \otimes \overline{A}^{\otimes r}}{[M \otimes \overline{A}^{\otimes r}, K]} \otimes_k \overline{H}^{\otimes_k^s}.$$

Remark 7.2. For each $s \in \mathbb{N}$, we consider $E^{\otimes_k^s}$ as a $H^{\otimes_c^s}$ -comodule via

$$\mathbf{v} := \text{ps}_s \circ (A \otimes_k \Delta)^{\otimes_k^s}.$$

Note that $\mathbf{v} \circ \gamma^{\otimes_k^s} = (\gamma^{\otimes_k^s} \otimes_k H^{\otimes_c^s}) \circ \Delta_{H^{\otimes_c^s}}$ and that \mathbf{v} induce a coaction

$$\mathbf{v}_A : E^{\otimes_A^s} \rightarrow E^{\otimes_A^s} \otimes_k H^{\otimes_c^s}, \tag{7.13}$$

such that

$$\mathbf{v}_A \circ \gamma^{\otimes_A^s} = (\gamma^{\otimes_A^s} \otimes_k H^{\otimes_c^s}) \circ \Delta_{H^{\otimes_c^s}}, \tag{7.14}$$

where $\gamma^{\otimes_A^s} : H^{\otimes_c^s} \rightarrow E^{\otimes_A^s}$ is the map given by $\gamma^{\otimes_A^s}(\mathbf{h}_{1s}) := \gamma_A(\mathbf{h}_{1s})$. We will also use the symbol \mathbf{v}_A to denote the map from $(E/A)^{\otimes_A^s}$ to $(E/A)^{\otimes_A^s} \otimes_k \overline{H}^{\otimes_c^s}$ induced by (7.13). We will use the property (7.14) freely in the sequel.

Remark 7.3. The maps $\Delta_{H^{\otimes_c^s}}$, c_{sr} , c_{sr}^{-1} , s_{sr} , s_{sr}^{-1} and \mathbf{v}_A will be represented by the same diagrams as the ones introduced in (1.3) and (1.5) for Δ , c , c^{-1} , s , s^{-1} and \mathbf{v} .

For each $r, s \geq 0$, we define the map $\theta_{rs} : \widehat{X}_{rs}(M) \rightarrow \overline{X}_{rs}(M)$, by

$$\theta([m \otimes_A \overline{\mathbf{x}}_{1s} \otimes \mathbf{a}_{1r}]) := \sum_i (-1)^{rs} [m x_1^{(0)} \cdots x_s^{(0)} \otimes \mathbf{a}_{1r}]_H \otimes_k \mathbf{x}_{1s}^{(1)(i)},$$

where

$$x_1^{(0)} \otimes_A \cdots \otimes_A x_s^{(0)} \otimes_k x_1^{(1)} \otimes_k \cdots \otimes_k x_s^{(1)} := \overline{\mathbf{x}}_{1s}^{(0)} \otimes_k \mathbf{x}_{1s}^{(1)} = \mathbf{v}_A(\overline{\mathbf{x}}_{1s})$$

and

$$\sum_i \overline{\mathbf{x}}_{1s}^{(0)} \otimes_k \mathbf{a}_{1r}^{(i)} \otimes_k \mathbf{x}_{1s}^{(1)(i)} := \overline{\mathbf{x}}_{1s}^{(0)} \otimes_k s(\mathbf{x}_{1s}^{(1)} \otimes_k \mathbf{a}_{1r}).$$

Proposition 7.4. *The map θ_{rs} is invertible. Its inverse is the map ϑ_{rs} , given by*

$$\vartheta(\mathbf{x}) := \sum_{ij} (-1)^{rs} m \gamma^{-1}(h_s^{(i)(1)(j)}) \cdots \gamma^{-1}(h_1^{(i)(1)(j)}) \otimes_A \gamma_A(\mathbf{h}_{1s}^{(i)(2)}) \otimes \mathbf{a}_{1r}^{(i)},$$

where

$$\begin{aligned} \mathbf{x} &:= [m \otimes \mathbf{a}_{1r}]_H \otimes_k \mathbf{h}_{1s}, \\ \sum_i \mathbf{h}_{1s}^{(i)} \otimes_k \mathbf{a}_{1r}^{(i)} &:= s^{-1}(\mathbf{a}_{1r} \otimes_k \mathbf{h}_{1s}) \end{aligned}$$

and

$$\sum_i \sum_j \mathbf{h}_{s1}^{(i)(1)(j)} \otimes_k \mathbf{h}_{1s}^{(i)(2)} \otimes_k \mathbf{a}_{1r}^{(i)} := \sum_i (\text{gc}_s \otimes_k H^{\otimes_s^c}) \circ \Delta_{H^{\otimes_s^c}}(\mathbf{h}_{1s}^{(i)}) \otimes_k \mathbf{a}_{1r}^{(i)}.$$

Proof. See Appendix B. \square

We will need the following generalization of the weak action ρ of H on A .

Definition 7.5. For all $r \in \mathbb{N}$, we let $\rho_r: H \otimes A^{\otimes r} \rightarrow A^{\otimes r}$ denote the map recursively defined by

$$\rho_1 := \rho \quad \text{and} \quad \rho_{r+1} = (\rho_r \otimes \rho_1) \circ (H \otimes_k s_{1r} \otimes A) \circ (\Delta \otimes A^{\otimes r+1}).$$

For $h \in H$ and $a_1, \dots, a_r \in A$, we set $h \cdot \mathbf{a}_{1r} := \rho_r(h \otimes_k \mathbf{a}_{1r})$.

Let $\bar{d}_{rs}^l: \bar{X}_{rs}(M) \rightarrow \bar{X}_{r+l-1, s-l}(M)$ be the map $\bar{d}_{rs}^l := \theta_{r+l-1, s-l} \circ \widehat{d}_{rs}^l \circ \vartheta_{rs}$.

Theorem 7.6. *The Hochschild homology of the K -algebra E with coefficients in M is the homology of $(\bar{X}_*(M), \bar{d}_*)$, where*

$$\bar{X}_n(M) := \bigoplus_{r+s=n} \bar{X}_{rs}(M) \quad \text{and} \quad \bar{d}_n := \sum_{l=1}^n \bar{d}_{0n}^l + \sum_{r=1}^n \sum_{l=0}^{n-r} \bar{d}_{r, n-r}^l.$$

Moreover,

$$\begin{aligned} \bar{d}^0(\mathbf{x}) &= [ma_1 \otimes \mathbf{a}_{2r}]_H \otimes_k \mathbf{h}_{1s} + \sum_{i=1}^{r-1} (-1)^i [m \otimes \mathbf{a}_{1, i-1} \otimes a_i a_{i+1} \otimes \mathbf{a}_{i+1, r}]_H \otimes_k \mathbf{h}_{1s} \\ &\quad + \sum_i (-1)^r [a_r^{(i)} m \otimes \mathbf{a}_{1, r-1}]_H \otimes_k \mathbf{h}_{1s}^{(i)} \end{aligned}$$

and

$$\begin{aligned} \bar{d}^1(\mathbf{x}) &= (-1)^r [m \in (h_1) \otimes \mathbf{a}_{1r}]_H \otimes_k \mathbf{h}_{2s} \\ &\quad + \sum_{i=1}^{s-1} (-1)^{r+i} [m \otimes \mathbf{a}_{1r}]_H \otimes_k \mathbf{h}_{1, i-1} \otimes_k h_i h_{i+1} \otimes_k \mathbf{h}_{i+2, s} \\ &\quad + \sum_{jl} (-1)^{r+s} [\gamma(h_s^{(2)}) m \gamma^{-1}(h_s^{(1)(j)(l)(1)}) \otimes h_s^{(1)(j)(l)(2)} \cdot \mathbf{a}_{1r}^{(l)}]_H \otimes_k \mathbf{h}_{1, s-1}^{(j)}, \end{aligned}$$

where

$$\begin{aligned} \mathbf{x} &:= [m \otimes \mathbf{a}_{1r}]_H \otimes_k \mathbf{h}_{1s}, \\ \sum_i \mathbf{h}_{1s}^{(i)} \otimes_k a_r^{(i)} &:= s^{-1}(a_r \otimes_k \mathbf{h}_{1s}), \\ \sum_j h_s^{(1)(j)} \otimes_k \mathbf{h}_{1s-1}^{(j)} \otimes_k h_s^{(2)} &:= c(\mathbf{h}_{1,s-1} \otimes_k h_s^{(1)}) \otimes_k h_s^{(2)} \end{aligned}$$

and

$$\sum_{jl} h_s^{(1)(j)(l)} \otimes_k \mathbf{a}_{1r}^{(l)} \otimes_k \mathbf{h}_{1,s-1}^{(j)} \otimes_k h_s^{(2)} := \sum_j s^{-1}(\mathbf{a}_{1r} \otimes_k h_s^{(1)(j)}) \otimes_k \mathbf{h}_{1,s-1}^{(j)} \otimes_k h_s^{(2)}.$$

Proof. See Appendix B. \square

Remark 7.7. In order to abbreviate notations we will write \bar{X}_{rs} and \bar{X}_n instead of $\bar{X}_{rs}(E)$ and $\bar{X}_n(E)$, respectively.

Notation 7.8. Given a K -subalgebra R of A and $0 \leq u \leq r$, we let $\bar{X}_{rs}^{Ru}(M)$ denote the k -vector subspace of $\bar{X}_{rs}(M)$ generated by the classes in $\bar{X}_{rs}(M)$ of all the simple tensors $m \otimes \mathbf{a}_{1r} \otimes_k \mathbf{h}_{1s}$, with at least u of the a_j 's in \bar{R} . Moreover, we set $\bar{X}_n^{Ru}(M) := \bigoplus_{r+s=n} \bar{X}_{rs}^{Ru}(M)$.

Proposition 7.9. Let R be a K -subalgebra of A , stable under s and ρ . If f takes its values in R , then

$$\bar{d}^l(\bar{X}_{rs}(M)) \subseteq \bar{X}_{r+l-1,s-l}^{R,l-1}(M),$$

for all $l \geq 1$.

Proof. This is an immediate consequence of item (3) of Theorem 3.6. \square

Remark 7.10. By the previous proposition, we know that if f takes its values in K , then $(\bar{X}_*(M), \bar{d}_*)$ is the total complex of the double complex $(\bar{X}_{**}(M), \bar{d}_{**}^0, \bar{d}_{**}^1)$.

7.1. The filtration of $(\bar{X}_*(M), \bar{d}_*)$

Let $F^i(\bar{X}_n(M)) := \bigoplus_{s \leq i} \bar{X}_{n-s,s}(M)$. The chain complex $(\bar{X}_*(M), \bar{d}_*)$ is filtered by

$$F^0(\bar{X}_*(M)) \subseteq F^1(\bar{X}_*(M)) \subseteq F^2(\bar{X}_*(M)) \subseteq F^3(\bar{X}_*(M)) \subseteq \dots \tag{7.15}$$

Remark 7.11. By Proposition 7.4 and the definition of $(\bar{X}_*(M), \bar{d}_*)$, the map

$$\theta_* : (\widehat{X}_*(M), \widehat{d}_*) \rightarrow (\bar{X}_*(M), \bar{d}_*),$$

given by $\theta_n = \sum_{r+s=n} \theta_{rs}$, is an isomorphism of chain complexes. It is evident that θ_* preserves filtrations. Consequently, the spectral sequence introduced in (3.9) coincides with the spectral sequence associated with the filtration (7.15). Clearly the compositional inverse of θ_* is the map

$$\vartheta_* : (\bar{X}_*(M), \bar{d}_*) \longrightarrow (\widehat{X}_*(M), \widehat{d}_*),$$

defined by $\vartheta_n := \bigoplus_{r+s=n} \vartheta_{rs}$.

Remark 7.12. In [14, Corollary 3.1.3] it was proven that if H is a standard Hopf algebra, $K = k$ and s is the flip, then the above mentioned spectral sequence satisfies $E_{r,s}^2 = H_s(H, H_r(A, M))$. Since the formulas obtained in Theorem 7.6 for \bar{d}^0 and \bar{d}^1 involve the transposition s , a similar result for the general case discussed in the present paper does not seem to be valid.

7.2. Comparison maps

Let

$$\bar{\phi}_* : (\bar{X}_*(M), \bar{d}_*) \rightarrow (M \otimes \bar{E}^{\otimes*} \otimes, b_*) \quad \text{and} \quad \bar{\psi}_* : (M \otimes \bar{E}^{\otimes*} \otimes, b_*) \rightarrow (\bar{X}_*(M), \bar{d}_*)$$

be the morphisms of chain complexes defined by $\bar{\phi}_* := \hat{\phi}_* \circ \vartheta_*$ and $\bar{\psi}_* := \theta_* \circ \hat{\psi}_*$, respectively. By the comments in Section 3.1, we know that $\bar{\psi} \circ \bar{\phi} = \text{id}$ and $\bar{\phi} \circ \bar{\psi} = \hat{\phi} \circ \hat{\psi}$ is homotopically equivalent to the identity. Moreover, by Proposition 3.9 and Remark 7.11, the morphisms $\bar{\phi}$ and $\bar{\psi}$, and the homotopy $\hat{\omega}_{*+1} : \hat{\phi}_* \circ \hat{\psi}_* \rightarrow \text{id}_*$, preserve filtrations.

8. Hochschild cohomology of cleft braided Hopf crossed products

Let $E := A \#_f H$, K and M be as in Section 7. In this section we show that if E is cleft, then the complex $(\hat{X}^*(M), \hat{d}^*)$ of Section 4 is isomorphic to a simpler complex $(\bar{X}^*(M), \bar{d}^*)$.

For each $r, s \geq 0$, we consider $\bar{A}^{\otimes r} \otimes_k \bar{H}^{\otimes s}$ as a left K^e -module via

$$(\lambda_1 \otimes_k \lambda_2)(\mathbf{a}_{1r} \otimes_k \mathbf{h}_{1s}) = \sum_i \lambda_1 \mathbf{a}_{1r} \lambda_2^{(i)} \otimes_k \mathbf{h}_{1s}^{(i)},$$

where $\sum_i \lambda_2^{(i)} \otimes_k \mathbf{h}_{1s}^{(i)} := s(\mathbf{h}_{1s} \otimes_k \lambda_2)$. Let

$$\bar{X}^{rs}(M) := \text{Hom}_{K^e}(\bar{A}^{\otimes r} \otimes_k \bar{H}^{\otimes s}, M).$$

For each $r, s \geq 0$, we define the map $\theta^{rs} : \bar{X}^{rs}(M) \rightarrow \hat{X}^{rs}(M)$, by

$$\theta(\beta)(\bar{\mathbf{x}}_{1s} \otimes \mathbf{a}_{1r}) := \sum_i (-1)^{rs} x_1^{(0)} \cdots x_s^{(0)} \beta(\mathbf{a}_{1r} \otimes_k \mathbf{x}_{1s}^{(1)(i)}),$$

where

$$x_1^{(0)} \otimes_A \cdots \otimes_A x_s^{(0)} \otimes_k x_1^{(1)} \otimes_k \cdots \otimes_k x_s^{(1)} := \bar{\mathbf{x}}_{1s}^{(0)} \otimes_k \mathbf{x}_{1s}^{(1)} := \nu_A(\bar{\mathbf{x}}_{1s})$$

and

$$\sum_i \bar{\mathbf{x}}_{1s}^{(0)} \otimes_k \mathbf{a}_{1r} \otimes_k \mathbf{x}_{1s}^{(1)(i)} := \bar{\mathbf{x}}_{1s}^{(0)} \otimes_k s(\mathbf{x}_{1s}^{(1)} \otimes_k \mathbf{a}_{1r}).$$

Proposition 8.1. The map θ^{rs} is invertible. Its inverse is the map ϑ^{rs} given by

$$\vartheta(\alpha)(\mathbf{a}_{1r} \otimes_k \mathbf{h}_{1s}) = \sum_{ij} (-1)^{rs} \gamma^{-1}(h_s^{(i)(1)(j)}) \cdots \gamma^{-1}(h_1^{(i)(1)(j)}) \alpha(\gamma_A(\mathbf{h}_{1s}^{(i)(2)}) \otimes \mathbf{a}_{1r}^{(i)}),$$

where

$$\sum_i \mathbf{h}_{1s}^{(i)} \otimes_k \mathbf{a}_{1r}^{(i)} := s^{-1}(\mathbf{a}_{1r} \otimes_k \mathbf{h}_{1s})$$

and

$$\sum_i \sum_j \mathbf{h}_{s1}^{(i)(1)(j)} \otimes_k \mathbf{h}_{1s}^{(i)(2)} \otimes_k \mathbf{a}_{1r}^{(i)} := \sum_i (\text{gc}_s \otimes_k H^{\otimes_s^c}) \circ \Delta_{H^{\otimes_s^c}}(\mathbf{h}_{1s}^{(i)}) \otimes_k \mathbf{a}_{1r}^{(i)}.$$

Proof. For $r, s \geq 0$, consider $X_{rs}, \widehat{X}_{rs}(E \otimes_k E)$ and $\overline{X}_{rs}(E \otimes_k E)$ as in Sections 2, 3 and 7, respectively. Notice that $(\overline{X}_*(E \otimes_k E), \overline{d}_*)$ and $(\widehat{X}_*(E \otimes_k E), \widehat{d}_*)$ are E -bimodule complexes via

$$\lambda_1([(e_1 \otimes_k e_2) \otimes \mathbf{a}_{1r}]_H \otimes_k \mathbf{h}_{1s})\lambda_2 := [(e_1\lambda_2 \otimes_k \lambda_1 e_2) \otimes \mathbf{a}_{1r}]_H \otimes_k \mathbf{h}_{1s}$$

and

$$\lambda_1([(e_1 \otimes_k e_2) \otimes_A \overline{\mathbf{x}}_{1s} \otimes \mathbf{a}_{1r}])\lambda_2 := [(e_1\lambda_2 \otimes_k \lambda_1 e_2) \otimes_A \overline{\mathbf{x}}_{1s} \otimes_k \mathbf{a}_{1r}].$$

Let $\varrho_{rs} : X_{rs} \rightarrow \widehat{X}_{rs}(E \otimes_k E)$ be the E -bimodule isomorphisms defined by

$$\varrho(e_2 \otimes_A \mathbf{x}_{1s} \otimes \mathbf{a}_{1r} \otimes e_1) = [(e_1 \otimes_k e_2) \otimes_A \mathbf{x}_{1s} \otimes \mathbf{a}_{1r}],$$

and let $\varpi^{rs} : \text{Hom}_{E^e}(\overline{X}_{rs}(E \otimes_k E), M) \rightarrow \overline{X}^{rs}(M)$ be the isomorphism given by

$$\varpi(\alpha)(\mathbf{a}_{1r} \otimes_k \mathbf{h}_{1s}) := \alpha([(1 \otimes_k 1) \otimes \mathbf{a}_{1r}]_H \otimes_k \mathbf{h}_{1s}).$$

It is easy to see that the diagrams

$$\begin{array}{ccc} \text{Hom}_{E^e}(\overline{X}_{rs}(E \otimes_k E), M) & \xrightarrow{\text{Hom}_{E^e}(\theta_{rs}, M)} & \text{Hom}_{E^e}(\widehat{X}_{rs}(E \otimes_k E), M) \\ \downarrow \varpi^{rs} & & \downarrow \text{Hom}_{E^e}(\varrho_{rs}, M) \\ \overline{X}^{rs}(M) & \xrightarrow{\theta^{rs}} & \widehat{X}^{rs}(M) \end{array} \tag{8.16}$$

and

$$\begin{array}{ccc} \text{Hom}_{E^e}(\widehat{X}_{rs}(E \otimes_k E), M) & \xrightarrow{\text{Hom}_{E^e}(\vartheta_{rs}, M)} & \text{Hom}_{E^e}(\overline{X}_{rs}(E \otimes_k E), M) \\ \downarrow \text{Hom}_{E^e}(\varrho_{rs}, M) & & \downarrow \varpi^{rs} \\ \text{Hom}_{E^e}(X_{rs}, M) & & \\ \downarrow \zeta^{rs} & & \\ \widehat{X}^{rs}(M) & \xrightarrow{\vartheta^{rs}} & \overline{X}^{rs}(M), \end{array}$$

where

- ζ^{rs} is the map introduced at the beginning of Section 4,
 - θ_{rs} and ϑ_{rs} are the morphisms introduced in Section 7,
- commute. Hence θ^{rs} is invertible and ϑ^{rs} is its inverse. \square

Let $\bar{d}_l^{rs} : \bar{X}^{r+l-1, s-l}(M) \rightarrow \bar{X}^{rs}(M)$ be the map $\bar{d}_l^{rs} := \vartheta^{rs} \circ \widehat{d}_l^{rs} \circ \theta^{r+l-1, s-l}$.

Theorem 8.2. *The Hochschild cohomology of the K-algebra E with coefficients in M is the cohomology of $(\bar{X}^*(M), \bar{d}^*)$, where*

$$\bar{X}^n(M) := \bigoplus_{r+s=n} \bar{X}^{rs}(M) \quad \text{and} \quad \bar{d}^n := \sum_{l=1}^n \bar{d}_l^{0n} + \sum_{r=1}^n \sum_{l=0}^{n-r} \bar{d}_l^{r, n-r}.$$

Moreover,

$$\begin{aligned} \bar{d}_0(\beta)(\mathbf{x}) &= a_1\beta(\mathbf{a}_{2r} \otimes_k \mathbf{h}_{1s}) + \sum_{i=1}^{r-1} (-1)^i \beta(\mathbf{a}_{1, i-1} \otimes a_i a_{i+1} \otimes \mathbf{a}_{i+1, r} \otimes_k \mathbf{h}_{1s}) \\ &\quad + \sum_i (-1)^r \beta(\mathbf{a}_{1, r-1} \otimes_k \mathbf{h}_{1s}^{(i)}) a_r^{(i)} \end{aligned}$$

and

$$\begin{aligned} \bar{d}_1(\beta)(\mathbf{x}) &= (-1)^r \epsilon(h_1) \beta(\mathbf{a}_{1r} \otimes_k \mathbf{h}_{2s}) \\ &\quad + \sum_{i=1}^{s-1} (-1)^{r+i} \beta(\mathbf{a}_{1r} \otimes_k \mathbf{h}_{1, i-1} \otimes_k h_i h_{i+1} \otimes_k \mathbf{h}_{i+2, s}) \\ &\quad + \sum_{jl} (-1)^{r+s} \gamma^{-1}(h_s^{(1)(j)(l)(1)}) \beta(h_s^{(1)(j)(l)(2)} \cdot \mathbf{a}_{1r}^{(l)} \otimes_k \mathbf{h}_{1, s-1}^{(j)}) \gamma(h_s^{(2)}), \end{aligned}$$

where

$$\begin{aligned} \mathbf{x} &:= \mathbf{a}_{1r} \otimes_k \mathbf{h}_{1s}, \\ \sum_i \mathbf{h}_{1s}^{(i)} \otimes_k a_r^{(i)} &:= s^{-1}(a_r \otimes_k \mathbf{h}_{1s}), \\ \sum_j h_s^{(1)(j)} \otimes_k \mathbf{h}_{1, s-1}^{(j)} \otimes_k h_s^{(2)} &:= c_{s-1, 1}(\mathbf{h}_{1, s-1} \otimes_k h_s^{(1)}) \otimes_k h_s^{(2)} \end{aligned}$$

and

$$\sum_{jl} h_s^{(1)(j)(l)} \otimes_k \mathbf{a}_{1r}^{(l)} \otimes_k \mathbf{h}_{1, s-1}^{(j)} \otimes_k h_s^{(2)} := \sum_j s^{-1}(\mathbf{a}_{1r} \otimes_k h_s^{(1)(j)}) \otimes_k \mathbf{h}_{1, s-1}^{(j)} \otimes_k h_s^{(2)}.$$

Proof. We will use the same notations as in the proof of Proposition 8.1. By that proposition and the definition of $(\bar{X}^*(M), \bar{d}^*)$, the map

$$\theta^* : (\bar{X}^*(M), \bar{d}^*) \rightarrow (\widehat{X}^*(M), \widehat{d}^*),$$

given by $\theta^n = \sum_{r+s=n} \theta^{rs}$, is an isomorphism of complexes. Hence, by the discussion at the beginning of Section 4, the cohomology of $(\bar{X}^*(M), \bar{d}^*)$ is the Hochschild cohomology of the K-algebra E with coefficients in M. In order to complete the proof we must compute \bar{d}_0 and \bar{d}_1 . Since

$$\begin{aligned} \text{Hom}_{E^e}(\theta_*, M) &: \text{Hom}_{E^e}((\bar{X}_*(E \otimes_k E), \bar{d}_*), M) \longrightarrow \text{Hom}_{E^e}((\widehat{X}_*(E \otimes_k E), \widehat{d}_*), M), \\ \text{Hom}_{E^e}(\varrho_*, M) &: \text{Hom}_{E^e}((\widehat{X}_*(E \otimes_k E), \widehat{d}_*), M) \longrightarrow \text{Hom}_{E^e}((X_*, d_*), M) \end{aligned}$$

and

$$\zeta^* : \text{Hom}_{E^e}((X_*, d_*), M) \longrightarrow \overline{X}^*(M),$$

where

$$\varrho_n := \sum_{r+s=n} \varrho_{rs} \quad \text{and} \quad \zeta^n := \sum_{r+s=n} \zeta^{rs},$$

are also isomorphisms of complexes, from the commutativity of the diagram (8.16), it follows that

$$\varpi^* : \text{Hom}_{E^e}((\overline{X}_*(E \otimes_k E), \overline{d}_*), M) \longrightarrow (\overline{X}^*(M), \overline{d}^*),$$

where $\varpi^n := \sum_{r+s=n} \varpi^{rs}$, is also an isomorphism. Hence

$$\overline{d}_0^{rs}(\beta)(\mathbf{a}_{1r} \otimes_k \mathbf{h}_{1s}) = \varpi^{-1}(\beta)(\overline{d}_{rs}^0([(1 \otimes_k 1) \otimes \mathbf{a}_{1r}]_H \otimes_k \mathbf{h}_{1s}))$$

and

$$\overline{d}_1^{rs}(\beta)(\mathbf{a}_{1r} \otimes_k \mathbf{h}_{1s}) = \varpi^{-1}(\beta)(\overline{d}_{rs}^1([(1 \otimes_k 1) \otimes \mathbf{a}_{1r}]_H \otimes_k \mathbf{h}_{1s})).$$

Now the desired result can be immediately obtained using Theorem 7.6. \square

Notation 8.3. Given a K -subalgebra R of A and $0 \leq u \leq r$, we let $\overline{X}_{Ru}^{rs}(M)$ denote the k -vector subspace of $\overline{X}^{rs}(M)$ consisting of all the K^e -linear maps

$$\beta : \overline{A}^{\otimes r} \otimes_k \overline{H}^{\otimes s} \rightarrow M$$

that factorize through the K^e -subbimodule $\overline{X}_{r+u, s-u-1}^{Rtu}$ of $\overline{A}^{\otimes r+u} \otimes_k \overline{H}^{\otimes s-u-r}$ generated by the simple tensors $\mathbf{a}_{1, r+u} \otimes_k \mathbf{h}_{1, s-u-1}$, with at least u of the a_j 's in \overline{R} .

Proposition 8.4. Let R be a K -subalgebra of A , stable under s and ρ . If f takes its values in R , then

$$\overline{d}_l(\overline{X}^{r+l-1, s-l}(M)) \subseteq \overline{X}_{Ru}^{rs}(M),$$

for all $l \geq 1$.

Proof. This is an immediate consequence of item (3) of Theorem 4.6. \square

Remark 8.5. By the above proposition, if f takes its values in K , then $(\overline{X}^*(M), \overline{d}^*)$ is the total complex of the double complex $(\overline{X}^{**}(M), \overline{d}_0^{**}, \overline{d}_1^{**})$.

8.1. The filtration of $(\overline{X}^*(M), \overline{d}^*)$

Let $F_i(\overline{X}^n(M)) := \bigoplus_{s \geq i} \overline{X}^{n-s, s}(M)$. The cochain complex $(\overline{X}^*(M), \overline{d}^*)$ is filtered by

$$F_0(\overline{X}^*(M)) \supseteq F_1(\overline{X}^*(M)) \supseteq F_2(\overline{X}^*(M)) \supseteq F_3(\overline{X}^*(M)) \supseteq \dots \tag{8.17}$$

Remark 8.6. By Proposition 8.1 and the definition of $(\overline{X}^*(M), \overline{d}^*)$, the map

$$\theta^* : (\overline{X}^*(M), \overline{d}^*) \longrightarrow (\widehat{X}^*(M), \widehat{d}^*),$$

given by $\theta^n = \sum_{r+s=n} \theta^{rs}$, is an isomorphism of cochain complexes. It is evident that θ^* preserves filtrations. Consequently, the spectral sequence introduced in (4.10) coincides with the spectral sequence associated with the filtration (8.17). Clearly the compositional inverse of θ^* is the map

$$\vartheta^* : (\widehat{X}^*(M), \widehat{d}^*) \longrightarrow (\overline{X}^*(M), \overline{d}^*),$$

defined by $\vartheta^n = \sum_{r+s=n} \vartheta^{rs}$.

Remark 8.7. In [14, Corollary 3.2.3] it was proven that if H is a standard Hopf algebra, $K = k$ and s is the flip, then the above mentioned spectral sequence satisfies $E_2^{r,s} = H^s(H, H^r(A, M))$. Since the formulas obtained in Theorem 8.2 for \overline{d}_0 and \overline{d}_1 involve the transposition s , a similar result for the general case discussed in the present paper does not seem to be valid.

8.2. Comparison maps

Let

$$\overline{\phi}^* : (\text{Hom}_{K^e}(\overline{E}^{\otimes^*}, M), b^*) \longrightarrow (\overline{X}^*(M), \overline{d}^*)$$

and

$$\overline{\psi}^* : (\overline{X}^*(M), \overline{d}^*) \longrightarrow (\text{Hom}_{K^e}(\overline{E}^{\otimes^*}, M), b^*)$$

be the morphisms of cochain complexes defined by $\overline{\phi}^* := \vartheta^* \circ \widehat{\phi}^*$ and $\overline{\psi}^* := \widehat{\phi}^* \circ \theta^*$, respectively. By the comments in Section 4.1, we know that $\overline{\phi} \circ \overline{\psi} = \text{id}$ and $\overline{\psi} \circ \overline{\phi} = \widehat{\psi} \circ \widehat{\phi}$ is homotopically equivalent to the identity. Moreover, by Proposition 4.9 and Remark 8.6, the morphisms $\overline{\phi}$ and $\overline{\psi}$, and the homotopy $\widehat{\omega}^{s+1} : \overline{\psi}^* \circ \overline{\phi}^* \rightarrow \text{id}^*$, preserve filtrations.

9. The cup and cap products for cleft crossed products

Let $E := A \#_f H$, K and M be as in Section 7. Assume that E is cleft. The aim of this section is to compute the cup product of $\text{HH}_K^*(E)$ in terms of $(\overline{X}^*, \overline{d}^*)$ and the cap product of $\text{H}_*^K(E, M)$ in terms of $(\overline{X}^*, \overline{d}^*)$ and $(\overline{X}_*(M), \overline{d}_*)$. We will use the diagrams introduced in (1.1), (1.2), (1.3), (1.5) and Remark 7.3. We will need the following generalization of the maps ρ_r introduced in Definition 7.5.

Definition 9.1. For all $r, s \in \mathbb{N}$, we let $\rho_{sr} : H^{\otimes_s^c} \otimes A^{\otimes^r} \rightarrow A^{\otimes^r}$ denote the map recursively defined by

$$\rho_{1r} := \rho_r \quad \text{and} \quad \rho_{s+1,r} = \rho_{1r} \circ (H \otimes_k \rho_{sr}).$$

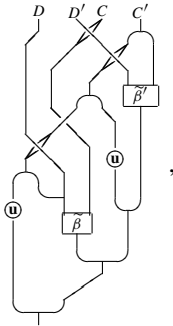
For $h_1, \dots, h_s \in H$ and $a_1, \dots, a_r \in A$, we set $\mathbf{h}_{1s} \cdot \mathbf{a}_{1r} := \rho_{sr}(\mathbf{h}_{1s} \otimes_k \mathbf{a}_{1r})$.

Remark 9.2. The map ρ_{sr} will be represented by the same diagram as ρ .

Notations 9.3. Let B be a k -algebra. For all $n \in \mathbb{N}$ we let $\mu_n : B^{\otimes_k^n} \rightarrow B$ denote the map recursively defined by

$$\mu_1 := \text{id}_B \quad \text{and} \quad \mu_{n+1} := \mu_B \circ (\mu_n \otimes_k B).$$

Definition 9.4. For $\beta \in \overline{X}^{rs}$ and $\beta' \in \overline{X}^{r's'}$ we define $\beta \star \beta' \in \overline{X}^{r+r',s+s'}$ as $(-1)^{r's}$ times the map induced by



where

- $D := A^{\otimes_k}$, $D' := A^{\otimes_k}$, $C := H^{\otimes_c}$ and $C' := H^{\otimes_c}$,
- $\tilde{\beta}: D \otimes_k C \rightarrow E$ and $\tilde{\beta}': D' \otimes_k C' \rightarrow E$ are the maps induced by β and β' , respectively,
- $u := \mu_{s'} \circ \gamma^{\otimes_k}$ and $\tilde{u} := \mu_{s'} \circ \tilde{\gamma}^{\otimes_k} \circ \text{gc}_{s'}$, in which $\tilde{\gamma}$ is the convolution inverse of γ .

Proposition 9.5. Let \bullet be the operation introduced in Definition 5.1. For each $\beta \in \overline{X}^{rs}$ and $\beta' \in \overline{X}^{r's'}$,

$$\theta(\beta \star \beta') = \theta(\beta) \bullet \theta(\beta').$$

Proof. See Appendix B. \square

Theorem 9.6. Let $\beta \in \overline{X}^{rs}$, $\beta' \in \overline{X}^{r's'}$ and $n := r + r' + s + s'$. Let R be a K -subalgebra of A , stable under s and ρ . If f takes its values in R , then

$$\overline{\phi}(\overline{\psi}(\beta) \sim \overline{\psi}(\beta')) = \beta \star \beta' \quad \text{modulo} \quad \bigoplus_{i>s+s'} \overline{X}_{R(1)}^{n-i,i},$$

where $\overline{X}_{R(1)}^{n-i,i}$ denotes the k -vector subspace of $\overline{X}^{n-i,i}$ consisting of all the K^e -linear maps

$$\beta: \overline{A}^{\otimes_k^{n-i}} \otimes_k \overline{H}^{\otimes_k^{n-i}} \rightarrow E,$$

that factorize through $W_n^r \cap C_n^{Rr}$, where W_n^r and C_n^{Rr} are as in Notations 4.5.

Proof. This is an immediate consequence of Proposition 9.5 and Theorem 5.2. \square

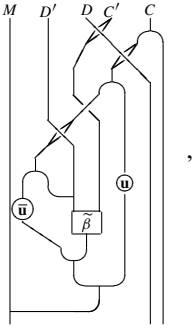
Corollary 9.7. If f takes its values in K , then the cup product of $\text{HH}_K^*(E)$ is induced by the operation \star in $(\overline{X}^*, \overline{d}^*)$.

Proof. It follows from Theorem 9.6, since $\overline{X}_{K(1)}^{n-i,i} = 0$ for all i . \square

Definition 9.8. Let $\beta \in \overline{X}^{r's'}$. For $r \geq r'$ and $s \geq s'$ we define

$$\begin{aligned} \overline{X}_{rs}(M) &\longrightarrow \overline{X}_{r-r',s-s'}(M) \\ [m \otimes \mathbf{a}_{1r}]_H \otimes_k \mathbf{h}_{1s} &\longmapsto ([m \otimes \mathbf{a}_{1r}]_H \otimes_k \mathbf{h}_{1s}) \star \beta \end{aligned}$$

as $(-1)^{r'(s-s')}$ times the morphism induced by



where

- $D := A^{\otimes_k^r}$, $D' := A^{\otimes_k^{r'}}$, $C := H^{\otimes_c^s}$ and $C' := H^{\otimes_c^{s'}}$,
- $\tilde{\beta}: D' \otimes_k C' \rightarrow E$ is the map induced by β ,
- $u := \mu_{s'} \circ \gamma^{\otimes_k^{s'}}$ and $\bar{u} := \mu_{s'} \circ \bar{\gamma}^{\otimes_k^{s'}} \circ \text{gc}_{s'}$, in which $\bar{\gamma}$ is the convolution inverse of γ .

If $r < r'$ or $s < s'$, then we set $([m \otimes \mathbf{a}_{1r}]_H \otimes_k \mathbf{h}_{1s}) \star \beta := 0$.

Proposition 9.9. Let \bullet be the action introduced in Definition 5.4. The equality

$$\vartheta([m \otimes \mathbf{a}_{1r}]_H \otimes_k \mathbf{h}_{1s}) \star \beta = \vartheta([m \otimes \mathbf{a}_{1r}]_H \otimes_k \mathbf{h}_{1s}) \bullet \theta(\beta)$$

holds for each $[m \otimes \mathbf{a}_{1r}]_H \otimes_k \mathbf{h}_{1s} \in \bar{X}_{rs}(M)$ and $\beta \in \bar{X}^{r's'}$.

Proof. See Appendix B. \square

Theorem 9.10. Let $[m \otimes \mathbf{a}_{1r}]_H \otimes_k \mathbf{h}_{1s} \in \bar{X}_{rs}(M)$, $\beta \in \bar{X}^{r's'}$ and $n := r + s - r' - s'$. Let R be a K -subalgebra of A , stable under χ . If f takes its values in R , then

$$\bar{\psi}(\bar{\phi}([m \otimes \mathbf{a}_{1r}]_H \otimes_k \mathbf{h}_{1s}) \frown \bar{\psi}(\beta)) = ([m \otimes \mathbf{a}_{1r}]_H \otimes_k \mathbf{h}_{1s}) \star \beta$$

modulo

$$\bigoplus_{i < s-s'} \left(\bar{X}_{n-i,i}^{R1}(M) + M\beta(\bar{X}_{r's'}^{Rt}) \otimes_A (E/A)^{\otimes_A^{s-s'}} \otimes \bar{A}^{\otimes^{r-r'}} \right),$$

where $\bar{X}_{r's'}^{Rt}$ denotes the k -vector subspace of $\bar{A}^{\otimes_k^{r'}} \otimes_k \bar{H}^{\otimes_k^{s'}}$ generated by all the simple tensors $\mathbf{a}_{1r} \otimes_k \mathbf{h}_{1,s}$, with at least 1 of the a_j 's in \bar{R} .

Proof. This is an immediate consequence of Proposition 9.9 and Theorem 5.5. \square

Corollary 9.11. If f takes its values in K , then in terms of $(\bar{X}_*(M), \bar{d}_*)$ and (\bar{X}^*, \bar{d}^*) , the cap product

$$H_n^K(E, M) \times HH_K^m(E) \rightarrow H_{n-m}^K(E, M),$$

is induced by \star .

Proof. It follows immediately from the previous theorem. \square

10. Cyclic homology of a cleft braided Hopf crossed product

Let $E := A \#_f H$, K and M be as in Section 7. In this section we show that if E is cleft, then the mixed complex $(\widehat{X}_*, \widehat{d}_*, \widehat{D}_*)$ of Section 6 is isomorphic to a simpler mixed complex $(\overline{X}_*, \overline{d}_*, \overline{D}_*)$. We will use the diagrams introduced in (1.1), (1.2), (1.3), (1.5), Remarks 7.3 and 9.2.

Let $\theta_*: \widehat{X}_* \rightarrow \overline{X}_*$ be the map introduced in Remark 7.11 and ϑ_* its inverse. Recall that $\theta_n = \bigoplus_{r+s=n} \theta_{rs}$. Hence $\vartheta_n = \bigoplus_{r+s=n} \vartheta_{rs}$, where ϑ_{rs} is the inverse of θ_{rs} . For each $n \geq 0$, let $\overline{D}_n := \theta_{n+1} \circ \widehat{D}_n \circ \vartheta_n$.

Theorem 10.1. $(\overline{X}_*, \overline{d}_*, \overline{D}_*)$ is a mixed complex that gives the Hochschild, cyclic, negative and periodic homologies of the K -algebra E . More precisely, the mixed complexes $(\overline{X}_*, \overline{d}_*, \overline{D}_*)$ and $(E \otimes \overline{E}^{\otimes *}, b_*, B_*)$ are homotopically equivalent.

Proof. Clearly $(\overline{X}_*, \overline{d}_*, \overline{D}_*)$ is a mixed complex and

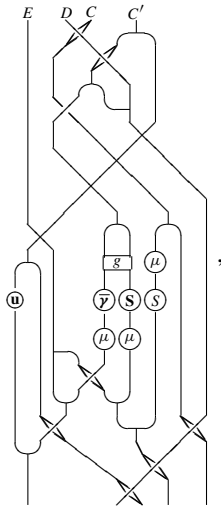
$$\theta_*: (\widehat{X}_*, \widehat{d}_*, \widehat{D}_*) \rightarrow (\overline{X}_*, \overline{d}_*, \overline{D}_*)$$

is an isomorphism of mixed complexes. So the result follows from Theorem 6.2. \square

We are now going to give a formula for \overline{D}_n . For $0 \leq j \leq s$, let

$$\tilde{\tau}_j: M \otimes \overline{A}^{\otimes r} \otimes_k \overline{H}^{\otimes_k^s} \longrightarrow M \otimes \overline{A}^{\otimes r} \otimes_k \overline{H}^{\otimes_k^{s+1}}$$

be the map induced by



where

- $D := A^{\otimes_k^r}$, $C := H^{\otimes_c^j}$ and $C' := H^{\otimes_c^{s-j}}$,
- $\overline{\gamma}$ denotes the map $\overline{\gamma}^{\otimes_k^{s-j}}$, where $\overline{\gamma}$ is the convolution inverse of γ ,
- μ denotes the maps μ_j and μ_{s-j} ,
- u denotes the map $\mu_{s-j} \circ \gamma^{\otimes_k^{s-j}}$,

- g denotes the map gc_{2s-2j} introduced in item (5) of Section 7,
- \mathbf{S} denotes the map $S^{\otimes_k^{s-j}}$

and let $\bar{\tau}_j : \bar{X}_{rs} \rightarrow \bar{X}_{r,s+1}$ be the map induced by $\tilde{\tau}_j$.

In the next theorem we use the notation $F_R^s(\bar{X}_{n+1}) := F^s(\bar{X}_{n+1}) \cap \bar{X}_{n+1}^{R1}(E)$.

Theorem 10.2. *Let R be a K -subalgebra of A , stable under s and ρ . If f takes its values in R , then the map $\bar{D}_n : \bar{X}_{rs} \rightarrow \bar{X}_{n+1}$, where $r + s = n$, is given by*

$$\bar{D}_n = \sum_{j=0}^s (-1)^{r+s+j} \bar{\tau}_j$$

modulo $F_R^s(\bar{X}_{n+1})$.

Proof. See Appendix B. □

Applying the previous theorem to the classical case (i.e. when H is a standard Hopf algebra and $s : H \otimes_k A \rightarrow A \otimes_k H$ is the flip), we obtain an expression for \bar{D} modulo $F_R^s(\bar{X}_{n+1})$, which is more convenient than the one given in [8, Theorem 3.3]. Explicitly, we have:

$$\begin{aligned} \bar{D}(\mathbf{x}) = \sum_{j=0}^s (-1)^{r+s+j} & \left[\gamma(h_{j+1}^{(4)}) \cdots \gamma(h_s^{(4)}) a \gamma(h_0^{(1)}) \gamma^{-1}(h_s^{(2)}) \cdots \gamma^{-1}(h_{j+1}^{(2)}) \right. \\ & \left. \otimes h_{j+1}^{(3)} \cdot (\cdots h_{s-1}^{(3)} \cdot (h_s^{(3)} \cdot \mathbf{a}_{1r}) \cdots) \right]_H \otimes \mathbf{h}_{j+1,s}^{(5)} \otimes h_0^{(2)} S(h_1^{(1)} \cdots h_s^{(1)}) \otimes \mathbf{h}_{1j}^{(2)} \end{aligned}$$

modulo $F_R^s(\bar{X}_{n+1})$, where

$$\begin{aligned} \mathbf{x} & := [a\gamma(h_0) \otimes \mathbf{a}_{1r}]_H \otimes \mathbf{h}_{1s}, \\ \mathbf{h}_{1s}^{(1)} \otimes \mathbf{h}_{1s}^{(2)} \otimes \mathbf{h}_{j+1,s}^{(3)} \otimes \mathbf{h}_{j+1,s}^{(4)} \otimes \mathbf{h}_{j+1,s}^{(5)} & := (\text{id}_{H^{\otimes_k^j}} \otimes \Delta_{H^{\otimes_c^{s-j}}}^3) \circ \Delta_{H^{\otimes_c^s}}(\mathbf{h}_{1s}) \end{aligned}$$

and

$$h \cdot \mathbf{a}_{1r} := h^{(1)} \cdot a_1 \otimes \cdots \otimes h^{(r)} \cdot a_r,$$

in which $h \cdot a$ denotes the weak action of $h \in H$ on $a \in A$.

10.1. The spectral sequences

Let

$$\bar{d}_{rs}^0 : \bar{X}_{rs} \rightarrow \bar{X}_{r-1,s} \quad \text{and} \quad \bar{d}_{rs}^1 : \bar{X}_{rs} \rightarrow \bar{X}_{r,s-1}$$

be as above Theorem 7.6 and let

$$\bar{D}_{rs}^0 : \bar{X}_{rs} \rightarrow \bar{X}_{r,s+1}$$

be the map defined by $\bar{D}^0(\mathbf{x}) = \sum_{j=0}^{s-i} (-1)^{r+s+j} \bar{\tau}_j$.

10.1.1. The first spectral sequence

Let

$$\check{d}_{rs} : \text{H}_r(\bar{X}_{*s}, \bar{d}_{*s}^0) \longrightarrow \text{H}_r(\bar{X}_{*,s-1}, \bar{d}_{*,s-1}^0)$$

and

$$\check{D}_{rs} : H_r(\overline{X}_{*s}, \overline{d}_{*s}^0) \longrightarrow H_r(\overline{X}_{*,s+1}, \overline{d}_{*,s+1}^0)$$

be the maps induced by \overline{d}^1 and \overline{D}^0 , respectively. Let

$$\mathcal{F}^0(\text{Tot}(\text{BC}(\overline{X}_*, \overline{d}_*, \overline{D}_*))) \subseteq \mathcal{F}^1(\text{Tot}(\text{BC}(\overline{X}_*, \overline{d}_*, \overline{D}_*))) \subseteq \dots \tag{10.18}$$

be the filtration of $\text{Tot}(\text{BC}(\overline{X}_*, \overline{d}_*, \overline{D}_*))$, given by

$$\mathcal{F}^s(\text{Tot}(\text{BC}(\overline{X}, \overline{d}, \overline{D})_n)) := \bigoplus_{j \geq 0} F^{s-2j}(\overline{X}_{n-2j})u^j,$$

where $F^{s-2j}(\overline{X}_{n-2j})$ is the filtration introduced in Section 7.1. Since the isomorphism

$$\theta_* : (\widehat{X}_*, \widehat{d}_*, \widehat{D}_*) \longrightarrow (\overline{X}_*, \overline{d}_*, \overline{D}_*),$$

satisfies

$$\theta_n \left(\mathcal{F}^s(\text{Tot}(\text{BC}(\widehat{X}, \widehat{d}, \widehat{D})_n)) \right) = \mathcal{F}^s(\text{Tot}(\text{BC}(\overline{X}, \overline{d}, \overline{D})_n)),$$

where $\mathcal{F}^s(\text{Tot}(\text{BC}(\widehat{X}, \widehat{d}, \widehat{D})_n))$ is as in the proof of Proposition 6.6, the spectral sequence introduced in that proposition coincides with the one associated with the filtration (10.18). In particular

$$\check{H}_r(\overline{X}_{**}, \overline{d}_{**}^0) := \left(H_r(\overline{X}_{**}, \overline{d}_{**}^0), \check{d}_{r*}, \check{D}_{r*} \right)$$

is a mixed complex and

$$\mathcal{E}_{sr}^2 = \text{HC}_s \left(\check{H}_r(\overline{X}_{**}, \overline{d}_{**}^0) \right).$$

10.1.2. The second spectral sequence

For each $s \geq 0$, we consider the double complex

$$\begin{array}{ccccccc} & \vdots & & \vdots & & \vdots & & \vdots \\ & \downarrow \overline{d}^0 & & \downarrow \overline{d}^0 & & \downarrow \overline{d}^0 & & \downarrow \overline{d}^0 \\ \overline{X}_{3s}u^0 & \xleftarrow{\overline{D}^0} & \overline{X}_{3,s-1}u^1 & \xleftarrow{\overline{D}^0} & \overline{X}_{3,s-2}u^2 & \xleftarrow{\overline{D}^0} & \overline{X}_{3,s-3}u^3 \\ \downarrow \overline{d}^0 & & \downarrow \overline{d}^0 & & \downarrow \overline{d}^0 & & \\ \overline{X}_{2s}u^0 & \xleftarrow{\overline{D}^0} & \overline{X}_{2,s-1}u^1 & \xleftarrow{\overline{D}^0} & \overline{X}_{2,s-2}u^2 & & \\ \downarrow \overline{d}^0 & & \downarrow \overline{d}^0 & & & & \\ \overline{X}_{1s}u^0 & \xleftarrow{\overline{D}^0} & \overline{X}_{1,s-1}u^1 & & & & \\ \downarrow \overline{d}^0 & & & & & & \\ \overline{X}_{0s}u^0 & & & & & & \end{array}$$

where $\bar{X}_0 u^0$ is placed in the intersection of the 0-th column and the 0-th row. Let

$$F^0(\text{Tot}(\text{BC}(\bar{X}_*, \bar{d}_*, \bar{D}_*))) \subseteq F^1(\text{Tot}(\text{BC}(\bar{X}_*, \bar{d}_*, \bar{D}_*))) \subseteq \dots \tag{10.19}$$

be the filtration of $\text{Tot}(\text{BC}(\bar{X}_*, \bar{d}_*, \bar{D}_*))$, given by

$$F^s(\text{Tot}(\text{BC}(\bar{X}, \bar{d}, \bar{D})))_n := \bigoplus_{j \geq 0} F^{s-j}(\bar{X}_{n-2j})u^j,$$

where $F^{s-j}(\bar{X}_{n-2j})$ is the filtration introduced in Section 7.1. Since the isomorphism

$$\theta_* : (\widehat{X}_*, \widehat{d}_*, \widehat{D}_*) \longrightarrow (\bar{X}_*, \bar{d}_*, \bar{D}_*),$$

satisfies

$$\theta_n \left(F^s(\text{Tot}(\text{BC}(\widehat{X}, \widehat{d}, \widehat{D})))_n \right) = F^s(\text{Tot}(\text{BC}(\bar{X}, \bar{d}, \bar{D})))_n,$$

where $F^s(\text{Tot}(\text{BC}(\widehat{X}, \widehat{d}, \widehat{D})))_n$ is as in the proof of Proposition 6.7, the spectral sequence introduced in that proposition coincides with the one associated with the filtration (10.19). In particular $\text{Tot}(\widehat{\Xi}_s) \simeq \text{Tot}(\bar{\Xi}_s)$, and so $E_{sr}^1 = H(\text{Tot}(\bar{\Xi}_s))$ for all $r, s \geq 0$.

10.1.3. The third spectral sequence

Assume that f takes its values in K . Let

$$\check{d}_{rs} : H_s(\bar{X}_{r*}, \bar{d}_{r*}^1) \longrightarrow H_s(\bar{X}_{r-1,*}, \bar{d}_{r-1,*}^1)$$

and

$$\check{D}_{rs} : H_s(\bar{X}_{r*}, \bar{d}_{r*}^1) \longrightarrow H_s(\bar{X}_{r,*+1}, \bar{d}_{r,*+1}^1)$$

be the maps induced by \bar{d}^0 and \bar{D}^0 , respectively. Let

$$\mathfrak{F}^0(\text{Tot}(\text{BC}(\bar{X}_*, \bar{d}_*, \bar{D}_*))) \subseteq \mathfrak{F}^1(\text{Tot}(\text{BC}(\bar{X}_*, \bar{d}_*, \bar{D}_*))) \subseteq \dots \tag{10.20}$$

be the filtration of $\text{Tot}(\text{BC}(\bar{X}_*, \bar{d}_*, \bar{D}_*))$, given by

$$\mathfrak{F}^r(\text{Tot}(\text{BC}(\bar{X}, \bar{d}, \bar{D})))_n := \bigoplus_{j \geq 0} \mathfrak{F}^{r-j}(\bar{X}_{n-2j})u^j,$$

where

$$\mathfrak{F}^{r-j}(\bar{X}_{n-2j}) := \bigoplus_{i \leq r-j} \bar{X}_{i,n-i-2j}.$$

Since the isomorphism

$$\theta_* : (\widehat{X}_*, \widehat{d}_*, \widehat{D}_*) \longrightarrow (\bar{X}_*, \bar{d}_*, \bar{D}_*),$$

satisfies

$$\theta_n \left(\mathfrak{F}^r(\text{Tot}(\text{BC}(\widehat{X}, \widehat{d}, \widehat{D})))_n \right) = \mathfrak{F}^r(\text{Tot}(\text{BC}(\bar{X}, \bar{d}, \bar{D})))_n,$$

where $\mathfrak{F}^r(\text{Tot}(\text{BC}(\widehat{X}, \widehat{d}, \widehat{D})))_n$ is as in the proof of Proposition 6.8, the spectral sequence introduced in that proposition coincides with the one associated with the filtration (10.20). In particular

$$\check{H}_s(\overline{X}_{**}, \overline{d}_{**}^1) := \left(H_s(\overline{X}_{**}, \overline{d}_{**}^1), \check{d}_{*s}, \check{D}_{*s} \right)$$

is a mixed complex and

$$\mathfrak{E}_{rs}^2 = H_s(\overline{X}_{r*}, \overline{d}_{r*}^1) \quad \text{and} \quad \mathfrak{E}_{rs}^2 = \text{HC}_r(\check{H}_s(\overline{X}_{**}, \overline{d}_{**}^1)).$$

Remark 10.3. The homology $H_s(\overline{X}_{r*}, \overline{d}_{r*}^1)$ seems to be difficult to compute because of the involved formula of \overline{d}^1 . In particular it is not clear for us if H semisimple implies that $H_s(\overline{X}_{r*}, \overline{d}_{r*}^1) = 0$ for $s > 0$.

10.1.4. *The fourth spectral sequence*

Assume that f takes its values in K . Then the mixed complex $(\overline{X}_*, \overline{d}_*, \overline{D}_*)$ is filtrated by

$$\mathcal{F}^0(\overline{X}_*, \overline{d}_*, \overline{D}_*) \subseteq \mathcal{F}^1(\overline{X}_*, \overline{d}_*, \overline{D}_*) \subseteq \mathcal{F}^2(\overline{X}_*, \overline{d}_*, \overline{D}_*) \subseteq \dots, \tag{10.21}$$

where

$$\mathcal{F}^r(\overline{X}_n) := \bigoplus_{i \leq r} \overline{X}_{i, n-i}.$$

Hence, for each $r \geq 1$, we can consider the quotient mixed complex

$$\overline{\mathfrak{X}}^r := \frac{\mathcal{F}^r(\overline{X}_*, \overline{d}_*, \overline{D}_*)}{\mathcal{F}^{r-1}(\overline{X}_*, \overline{d}_*, \overline{D}_*)}.$$

It is easy to check that the Hochschild boundary map of $\overline{\mathfrak{X}}^r$ is $\overline{d}_{r*}^1 : \overline{X}_{r*} \rightarrow \overline{X}_{r, *-1}$, and that, by item (1) of Theorem 10.2, its Connes operator is $\overline{D}_{r*}^0 : \overline{X}_{r*} \rightarrow \overline{X}_{r, *+1}$. Since the isomorphism

$$\theta_* : (\widehat{X}_*, \widehat{d}_*, \widehat{D}_*) \longrightarrow (\overline{X}_*, \overline{d}_*, \overline{D}_*),$$

satisfies

$$\theta_* \left(\mathcal{F}^r(\widehat{X}_*, \widehat{d}_*, \widehat{D}_*) \right) = \mathcal{F}^r(\overline{X}_*, \overline{d}_*, \overline{D}_*),$$

where $\mathcal{F}^r(\widehat{X}_*, \widehat{d}_*, \widehat{D}_*)$ is as in Section 6.1.4, the spectral sequence introduced in Proposition 6.9 coincides with the one associated with the filtration (10.21). In particular $\overline{\mathfrak{X}}^r \simeq \widehat{\mathfrak{X}}^r$ and so $\mathcal{E}_{rs}^1 = \text{HC}_s(\overline{\mathfrak{X}}^r)$.

Appendix A

This appendix is devoted to prove Propositions 3.11–3.13. Lemmas A.1, A.2, A.4 and A.6, and Propositions A.5, A.7 and A.9 generalize the corresponding results in [8]. Except for Propositions A.5 and A.8 we do not provide proofs, because the ones given in that paper work in our setting.

We will use the following notations.

- (1) We let $L_{rs} \subseteq U_{rs}$ denote the K -subbimodules of X_{rs} generated by the simple tensors of the form

$$1 \otimes_A \gamma_A(\mathbf{v}_{1s}) \otimes \mathbf{a}_{1r} \otimes 1 \quad \text{and} \quad 1 \otimes_A \gamma_A(\mathbf{v}_{1s}) \otimes \mathbf{a}_{1r} \otimes \gamma(v),$$

respectively. Moreover we set

$$L_n := \bigoplus_{r+s=n} L_{rs} \quad \text{and} \quad U_n := \bigoplus_{r+s=n} U_{rs}.$$

- (2) Given a subalgebra R of A we set

$$X_n^{R1} := \bigoplus_{r+s=n} X_{rs}^{R1}$$

where X_{rs}^{R1} is as in [Notations 2.3](#).

- (3) We write $F_R^i(X_n) := F^i(X_n) \cap X_n^{R1}$.

- (4) We let W_n denote the K -subbimodule of $E \otimes \overline{E}^{\otimes n} \otimes E$ generated by the simple tensors $1 \otimes \mathbf{x}_{1n} \otimes 1$ such that $x_i \in \overline{A} \cup \mathcal{V}_K$ for all i .

- (5) We let W'_n denote the K -subbimodule of $E \otimes \overline{E}^{\otimes n} \otimes E$ generated by the simple tensors $1 \otimes \mathbf{x}_{1n} \otimes 1$ such that $\#\{j : x_j \notin \overline{A} \cup \mathcal{V}_K\} \leq 1$.

- (6) Given a subalgebra R of A , we let C_n^R denote the E -subbimodule of $E \otimes \overline{E}^{\otimes n} \otimes E$ generated by all the simple tensors $1 \otimes \mathbf{x}_{1n} \otimes 1$ with some x_i in \overline{R} .

- (7) Let R_i denote $F^i(E \otimes \overline{E}^{\otimes n} \otimes E) \setminus F^{i-1}(E \otimes \overline{E}^{\otimes n} \otimes E)$.

The identification $X_{rs} \simeq (E \otimes_k \overline{V}^{\otimes_s^k}) \otimes \overline{A}^{\otimes r} \otimes E$ induces identifications

$$L_{rs} \simeq (K \otimes_k \overline{V}^{\otimes_s^k}) \otimes \overline{A}^{\otimes r} \otimes K \quad \text{and} \quad U_{rs} \simeq (K \otimes_k \overline{V}^{\otimes_s^k}) \otimes \overline{A}^{\otimes r} \otimes K\mathcal{V},$$

where, as at the beginning of [Section 2](#), \mathcal{V} denotes the image, $k \otimes V$, of $\gamma : V \rightarrow E$.

Lemma A.1. *We have*

$$\overline{\sigma}_{n+1} = -\sigma_{0,n+1}^0 \circ \sigma_{n+1}^{-1} \circ \nu_n + \sum_{r=0}^n \sum_{l=0}^{n-r} \sigma_{r+l+1,n-r-l}^l.$$

Lemma A.2. *The contracting homotopy $\overline{\sigma}$ satisfies $\overline{\sigma} \circ \overline{\sigma} = 0$.*

Remark A.3. The previous lemma implies that

$$\psi(\mathbf{x}_{0n} \otimes 1) = (-1)^n \overline{\sigma} \circ \psi(\mathbf{x}_{0n})$$

for all $n \geq 1$.

Lemma A.4. *It always holds that $d^l(L_{rs}) \subseteq U_{r+l-1,s-l}$, for each $l \geq 2$. Moreover*

$$d^1(L_{rs}) \subseteq EL_{r,s-1} + U_{r,s-1}.$$

Proposition A.5. *Let R be a subalgebra of A , stable under χ . If \mathcal{F} takes its values in $R \otimes_k V$, then*

$$\phi(1 \otimes_A \gamma_A(\mathbf{v}_{1i}) \otimes \mathbf{a}_{1,n-i} \otimes 1) \equiv 1 \otimes \text{Sh}(\mathbf{v}_{1i} \otimes_k \mathbf{a}_{1,n-i}) \otimes 1$$

modulo $F^{i-1}(E \otimes \overline{E}^{\otimes n} \otimes E) \cap W_n \cap C_n^R$.

Proof. We proceed by induction on n . For $n = 1$ this is trivial. Assume that it is true for $n - 1$. Let $\mathbf{x} := 1 \otimes_A \gamma_A(\mathbf{v}_{1i}) \otimes \mathbf{a}_{1,n-i} \otimes 1$. By item (2) of [Theorem 2.4](#), the fact that $d^l(\mathbf{x}) \in U_{n-i+l-1,i-l}$ (by [Lemma A.4](#)), the inductive hypothesis and the definition of ξ , we have

$$\xi \circ \phi \circ d^l(\mathbf{x}) \in F^{i-l+1}(E \otimes \overline{E}^{\otimes n} \otimes E) \cap W_n \cap C_n^R \quad \text{for all } l > 1.$$

So,

$$\phi(\mathbf{x}) = \xi \circ \phi \circ d^0(\mathbf{x}) + \xi \circ \phi \circ d^1(\mathbf{x}) \pmod{F^{i-1}(E \otimes \overline{E}^{\otimes n} \otimes E) \cap W_n \cap C_n^R}.$$

Moreover, by the definitions of d^0 , ϕ and ξ ,

$$\xi \circ \phi \circ d^0(\mathbf{x}) = (-1)^n \xi \circ \phi(1 \otimes_A \gamma_A(\mathbf{v}_{1i}) \otimes \mathbf{a}_{1,n-i}),$$

and by [Theorem 2.4](#) and the definitions of ϕ and ξ ,

$$\xi \circ \phi \circ d^1(\mathbf{x}) = \sum_l (-1)^i \xi \circ \phi(1 \otimes_A \gamma_A(\mathbf{v}_{1,i-1}) \otimes \mathbf{a}_{1,n-i}^{(l)} \otimes \gamma(v_i^{(l)})),$$

where $\sum_l \mathbf{a}_{1,n-i}^{(l)} \otimes_k v_i^{(l)} := \overline{\chi}(v_i \otimes_k \mathbf{a}_{1,n-i})$. The proof can be now easily finished using the inductive hypothesis. \square

Lemma A.6. *Consider a stable under χ subalgebra R of A such that \mathcal{F} takes its values in $R \otimes_k V$. The following facts hold.*

(1) *Let $\mathbf{x} := 1 \otimes_A \gamma_A(\mathbf{v}_{1i}) \otimes \mathbf{a}_{i+1,n}$. If $i < n$, then*

$$\overline{\sigma}(\mathbf{x}) = \sigma^0(\mathbf{x}) = (-1)^n \otimes_A \gamma_A(\mathbf{v}_{1i}) \otimes \mathbf{a}_{i+1,n} \otimes 1.$$

(2) *If $\mathbf{z} = 1 \otimes_A \gamma_A(\mathbf{v}_{1,i-1}) \otimes \mathbf{a}_{i,n-1} \otimes a_n \gamma(v_n)$, then $\sigma^l(\mathbf{z}) \in U_{n-i+l+1,i-1-l}$ for $l \geq 0$ and $\sigma^l(\mathbf{z}) \in X_n^{R1}$ for $l \geq 1$.*

(3) *If $\mathbf{z} = 1 \otimes_A \gamma_A(\mathbf{v}_{1,i-1}) \otimes \mathbf{a}_{i,n-1} \otimes \gamma(v_n)$, then $\sigma^l(\mathbf{z}) = 0$ for $l \geq 0$.*

(4) *If $\mathbf{z} = 1 \otimes_A \gamma_A(\mathbf{v}_{1,i-1}) \otimes \mathbf{a}_{i,n-1} \otimes a_n \gamma(v_n)$ and $i < n$, then $\overline{\sigma}(\mathbf{z}) \equiv \sigma^0(\mathbf{z})$, modulo $F_R^{i-2}(X_n) \cap U_n$.*

(5) *If $\mathbf{z} = 1 \otimes_A \gamma_A(\mathbf{v}_{1,n-1}) \otimes a_n \gamma(v_n)$, then $\overline{\sigma}(\mathbf{z}) \equiv -\sigma^0 \circ \sigma^{-1} \circ v(\mathbf{z}) + \sigma^0(\mathbf{z})$, modulo $F_R^{i-2}(X_n) \cap U_n$.*

(6) *If $\mathbf{z} = 1 \otimes_A \gamma_A(\mathbf{v}_{1,n-1}) \otimes \gamma(v_n)$, then $\overline{\sigma}(\mathbf{z}) = -\sigma^0 \circ \sigma^{-1} \circ v(\mathbf{z})$.*

(7) *If $\mathbf{z} = 1 \otimes_A \gamma_A(\mathbf{v}_{1,i-1}) \otimes \mathbf{a}_{i,n-1} \otimes \gamma(v_n)$ and $i < n$, then $\overline{\sigma}(\mathbf{z}) = 0$.*

Proposition A.7. *Let R be a stable under χ subalgebra of A such that \mathcal{F} takes its values in $R \otimes_k V$. The following facts hold.*

(1) $\psi(1 \otimes \gamma(\mathbf{v}_{1i}) \otimes \mathbf{a}_{i+1,n} \otimes 1) = 1 \otimes_A \gamma_A(\mathbf{v}_{1i}) \otimes \mathbf{a}_{i+1,n} \otimes 1$.

(2) *If $\mathbf{x} = 1 \otimes \mathbf{x}_{1n} \otimes 1 \in R_i \cap W_n$ and there exists $1 \leq j \leq i$ such that $x_j \in \overline{A}$, then $\psi(\mathbf{x}) = 0$.*

(3) If $\mathbf{x} = 1 \otimes \gamma(\mathbf{v}_{1,i-1}) \otimes a_i \gamma(v_i) \otimes \mathbf{a}_{i+1,n} \otimes 1$, then

$$\psi(\mathbf{x}) \equiv 1 \otimes_A \gamma_A(\mathbf{v}_{1,i-1}) \otimes_A a_i \gamma(v_i) \otimes \mathbf{a}_{i+1,n} \otimes 1 + \sum_l 1 \otimes_A \gamma_A(\mathbf{v}_{1,i-1}) \otimes a_i \otimes \mathbf{a}_{i+1,n}^{(l)} \otimes \gamma(v_i^{(l)}),$$

modulo $F_R^{i-2}(X_n) \cap U_n$, where $\sum_l \mathbf{a}_{i+1,n}^{(l)} \otimes_k v_i^{(l)} := \bar{\chi}(v_i \otimes_k \mathbf{a}_{i+1,n})$.

(4) If $\mathbf{x} = 1 \otimes \gamma(\mathbf{v}_{1,j-1}) \otimes a_j \gamma(v_j) \otimes \gamma(\mathbf{v}_{j+1,i}) \otimes \mathbf{a}_{i+1,n} \otimes 1$ with $j < i$, then

$$\psi(\mathbf{x}) \equiv 1 \otimes_A \gamma_A(\mathbf{v}_{1,j-1}) \otimes_A a_j \gamma(v_j) \otimes_A \gamma_A(\mathbf{v}_{j+1,i}) \otimes \mathbf{a}_{i+1,n} \otimes 1,$$

modulo $F_R^{i-2}(X_n) \cap U_n$.

(5) If $\mathbf{x} = 1 \otimes \gamma(\mathbf{v}_{1,i-1}) \otimes \mathbf{a}_{i,j-1} \otimes a_j \gamma(v_j) \otimes \mathbf{a}_{j+1,n} \otimes 1$ with $j > i$, then

$$\psi(\mathbf{x}) \equiv \sum_l 1 \otimes_A \gamma_A(\mathbf{v}_{1,i-1}) \otimes \mathbf{a}_{ij} \otimes \mathbf{a}_{j+1,n}^{(l)} \otimes \gamma(v_j^{(l)}),$$

modulo $F_R^{i-2}(X_n) \cap U_n$, where $\sum_l \mathbf{a}_{j+1,n}^{(l)} \otimes_k v_j^{(l)} := \bar{\chi}(v_j \otimes_k \mathbf{a}_{j+1,n})$.

(6) If $\mathbf{x} = 1 \otimes \mathbf{x}_{1n} \otimes 1 \in R_i \cap W'_n$ and there exists $1 \leq j_1 < j_2 \leq n$ such that $x_{j_1} \in \bar{A}$ and $x_{j_2} \in \mathcal{V}_K$, then $\psi(\mathbf{x}) \in F_R^{i-2}(X_n) \cap U_n$.

Proof. For items (1)–(5) the proofs given in [8] work. We next prove item (6). Assume first that $x_n \notin i_{\bar{A}}(\bar{A}) \cup \mathcal{V}$. Then, by Remark A.3 and item (2),

$$\psi(\mathbf{x}) = (-1)^n \bar{\sigma} \circ \psi(1 \otimes \mathbf{x}_{1n}) = (-1)^n \bar{\sigma}(0) = 0.$$

Assume now that $x_n \in \bar{A}$. Then, by the inductive hypothesis

$$\psi(\mathbf{x}) = (-1)^n \bar{\sigma} \circ \psi(1 \otimes \mathbf{x}_{1n}) \in \bar{\sigma} \left(X_{n-1}^{R1} \cap \bigoplus_{l=0}^{i-2} U_{n-l-1,l} A \right),$$

and the result follows from items (1) and (4) of Lemma A.6. Finally, assume that $x_n \in \mathcal{V}$. Then, by the inductive hypothesis or items (3), (4) or (5),

$$\psi(\mathbf{x}) = (-1)^n \bar{\sigma} \circ \psi(1 \otimes \mathbf{x}_{1n}) \in \bar{\sigma} \left(A U_{n-i,i-1} \oplus \bigoplus_{l=0}^{i-2} U_{n-l-1,l} \mathcal{V} \right),$$

and the result follows from items (4) and (7) of Lemma A.6. \square

Proposition A.8. *The following facts hold.*

(1) If $\mathbf{x} = 1 \otimes \gamma(\mathbf{v}_{1i}) \otimes \mathbf{a}_{1,n-i} \otimes 1$, then

$$\phi \circ \psi(\mathbf{x}) \equiv 1 \otimes \text{Sh}(\mathbf{v}_{1i} \otimes_k \mathbf{a}_{1,n-i}) \otimes 1$$

modulo $F^{i-1}(E \otimes \bar{E}^{\otimes n} \otimes E) \cap W_n \cap C_n^R$.

(2) If $\mathbf{x} = 1 \otimes \mathbf{x}_{1n} \otimes 1 \in R_i \cap W_n$ and there exists $1 \leq j \leq i$ such that $x_j \in A$, then $\phi \circ \psi(\mathbf{x}) = 0$.

(3) If $\mathbf{x} = 1 \otimes \gamma(\mathbf{v}_{1,i-1}) \otimes a_i \gamma(v_i) \otimes \mathbf{a}_{i+1,n} \otimes 1$, then

$$\phi \circ \psi(\mathbf{x}) \equiv \sum_l a_i^{(l)} \otimes \text{Sh}(\mathbf{v}_{1,i-1}^{(l)} \otimes_k v_i \otimes_k \mathbf{a}_{i+1,n}) \otimes 1 + \sum_l 1 \otimes \text{Sh}(\mathbf{v}_{1,i-1} \otimes_k a_i \otimes \mathbf{a}_{i+1,n}^{(l)}) \otimes \gamma(v_i^{(l)})$$

modulo

$$\left(F^{i-1}(E \otimes \overline{E}^{\otimes n} \otimes E) \cap AW_n + F^{i-2}(E \otimes \overline{E}^{\otimes n} \otimes E) \cap W_n \mathcal{V} \right) \cap C_n^R,$$

where

$$\sum_l a_i^{(l)} \otimes_k \mathbf{v}_{1,i-1}^{(l)} := \chi(\mathbf{v}_{1,i-1} \otimes_k a_i) \quad \text{and} \quad \sum_l \mathbf{a}_{i+1,n}^{(l)} \otimes_k v_i^{(l)} := \overline{\chi}(v_i \otimes_k \mathbf{a}_{i+1,n}).$$

(4) If $\mathbf{x} = 1 \otimes \gamma(\mathbf{v}_{1,j-1}) \otimes a_j \gamma(v_j) \otimes \gamma(\mathbf{v}_{j+1,i}) \otimes \mathbf{a}_{i+1,n} \otimes 1$ with $j < i$, then

$$\phi \circ \psi(\mathbf{x}) \equiv \sum_l a_j^{(l)} \otimes \text{Sh}(\mathbf{v}_{1,j-1}^{(l)} \otimes_k \mathbf{v}_{ji} \otimes_k \mathbf{a}_{i+1,n}) \otimes 1,$$

modulo

$$\left(F^{i-1}(E \otimes \overline{E}^{\otimes n} \otimes E) \cap AW_n + F^{i-2}(E \otimes \overline{E}^{\otimes n} \otimes E) \cap W_n \mathcal{V} \right) \cap C_n^R,$$

where $\sum_l a_j^{(l)} \otimes_k \mathbf{v}_{1,j-1}^{(l)} := \chi(\mathbf{v}_{1,j-1} \otimes_k a_j)$.

(5) If $\mathbf{x} = 1 \otimes \gamma(\mathbf{v}_{1,i-1}) \otimes \mathbf{a}_{i,j-1} \otimes a_j \gamma(v_j) \otimes \mathbf{a}_{j+1,n} \otimes 1$ with $j > i$, then

$$\phi \circ \psi(\mathbf{x}) \equiv \sum_l 1 \otimes \text{Sh}(\mathbf{v}_{1,i-1} \otimes_k \mathbf{a}_{ij} \otimes \mathbf{a}_{j+1,n}^{(l)}) \otimes \gamma(v_j^{(l)})$$

modulo $F^{i-2}(E \otimes \overline{E}^{\otimes n} \otimes E) \cap W_n \mathcal{V} \cap C_n^R$.

(6) If $\mathbf{x} = 1 \otimes \mathbf{x}_{1n} \otimes 1 \in R_i \cap W'_n$ and there exists $1 \leq j_1 < j_2 \leq n$ such that $x_{j_1} \in \overline{A}$ and $x_{j_2} \in \mathcal{V}_K$, then

$$\phi \circ \psi(\mathbf{x}) \in F^{i-2}(E \otimes \overline{E}^{\otimes n} \otimes E) \cap W_n \mathcal{V} \cap C_n^R.$$

Proof. (1) This follows from item (1) of Propositions A.7 and A.5.

(2) This follows from item (2) of Proposition A.7.

(3) By item (3) of Proposition A.7,

$$\begin{aligned} \phi \circ \psi(\mathbf{x}) &\equiv \sum_l \phi(a_i^{(l)} \otimes_A \gamma_A(\mathbf{v}_{1,i-1} \otimes_k v_i) \otimes \mathbf{a}_{i+1,n} \otimes 1) \\ &\quad + \sum_l \phi(1 \otimes_A \gamma_A(\mathbf{v}_{1,i-1}) \otimes a_i \otimes \mathbf{a}_{i+1,n}^{(l)} \otimes \gamma(v_i^{(l)})), \end{aligned}$$

modulo $\phi(F_R^{i-2}(X_n) \cap U_n)$, where

$$\sum_l a_i^{(l)} \otimes_k \mathbf{v}_{1,i-1}^{(l)} := \chi(\mathbf{v}_{1,i-1} \otimes_k a_i) \quad \text{and} \quad \sum_l \mathbf{a}_{i+1,n}^{(l)} \otimes_k v_i^{(l)} := \overline{\chi}(v_i \otimes_k \mathbf{a}_{i+1,n}).$$

The desired result follows now from Proposition A.5.

(4) By item (4) of Proposition A.7,

$$\phi \circ \psi(\mathbf{x}) \equiv \sum_l \phi(a_j^{(l)} \otimes_A \gamma_A(\mathbf{v}_{1,j-1} \otimes_k \mathbf{v}_{ji}) \otimes \mathbf{a}_{i+1,n} \otimes 1)$$

modulo $F_R^{i-2}(X_n) \cap U_n$, where $\sum_l a_i^{(l)} \otimes_k \mathbf{v}_{1,i-1}^{(l)} := \chi(\mathbf{v}_{1,j-1} \otimes_k a_j)$. To conclude the proof of this item it suffices to apply Proposition A.5.

(5) By item (5) of Proposition A.7,

$$\phi \circ \psi(\mathbf{x}) \equiv \sum_l \phi(1 \otimes_A \gamma_A(\mathbf{v}_{1,i-1}) \otimes \mathbf{a}_{ij} \otimes \mathbf{a}_{j+1,n}^{(l)} \otimes \gamma(v_j^{(l)})),$$

modulo $\phi(F_R^{i-2}(X_n) \cap U_n)$, where $\sum_l \mathbf{a}_{j+1,n}^{(l)} \otimes_k v_j^{(l)} := \bar{\chi}(v_j \otimes_k \mathbf{a}_{j+1,n})$. The result follows by applying Proposition A.5.

(6) Proceed as in the proof of item (5) but using item (5) of Proposition A.7 instead of item (5). \square

Proposition A.9. *If $\mathbf{x} = 1 \otimes \mathbf{x}_{1n} \otimes 1 \in R_i \cap W'_n$, then*

$$\omega(\mathbf{x}) \in F^i(E \otimes \bar{E}^{\otimes n+1} \otimes E) \cap W_{n+1}.$$

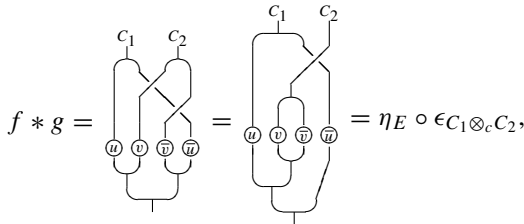
Appendix B

The purpose of this appendix is to prove Proposition 7.4, Theorem 7.6, Propositions 9.5 and 9.9, and Theorem 10.2. We will freely use the notations introduced in the previous sections, and the properties established in Definitions 1.6, 1.8 and 1.13, and Remarks 1.7 and 1.9. We will also use the diagrams introduced in (1.1), (1.2), (1.3), (1.5), Definition 1.2 and Remarks 1.15, 7.3 and 9.2. Actually, in this appendix we will use them with a wider meaning. Finally we let $\bar{\gamma}$ denote the convolution inverse of γ .

Let C_1 and C_2 be two coalgebras. It is easy to see that if $c: C_1 \otimes_k C_2 \rightarrow C_2 \otimes_k C_1$ is compatible with the coalgebra structures of C_1 and C_2 , then $C_1 \otimes_k C_2$ is a coalgebra with counit $\varepsilon_{C_1} \otimes_k \varepsilon_{C_2}$, via $\Delta := (C_1 \otimes_k c \otimes_k C_2) \circ (\Delta_{C_1} \otimes_k \Delta_{C_2})$. We will denote this coalgebra by $C_1 \otimes_c C_2$.

Lemma B.1. *Let E be a k -algebra. If $u: C_1 \rightarrow E$ and $v: C_2 \rightarrow E$ are convolution invertible k -linear maps, then the map $\mu_E \circ (u \otimes_k v)$ is also convolution invertible and its inverse is $\mu_E \circ (v^{-1} \otimes_k u^{-1}) \circ c$.*

Proof. Set $\bar{u} := u^{-1}$, $\bar{v} := v^{-1}$, $f := \mu_E \circ (u \otimes_k v)$ and $g := \mu_E \circ (\bar{v} \otimes_k \bar{u}) \circ c$. We have



as desired. Similarly $g * f = \eta_E \circ \varepsilon_{C_1 \otimes_c C_2}$. \square

Let E be a k -algebra. Recall that for all $s \in \mathbb{N}$ we let $\mu_s: E^{\otimes_s k} \rightarrow E$ denote the map recursively defined by

$$\mu_1 := \text{id}_E \quad \text{and} \quad \mu_{s+1} := \mu_E \circ (\mu_s \otimes_k E).$$

Lemma B.2. *Let E be a k -algebra and let H be a braided bialgebra. If $u: H \rightarrow E$ is a convolution invertible k -linear map, then for all $s \in \mathbb{N}$, the map $\mu_s \circ u^{\otimes_s k}$ is also convolution invertible. Its inverse is $\mu_s \circ \bar{u}^{\otimes_s k} \circ \text{gc}_s$, where \bar{u} is the convolution inverse of u and $\text{gc}_s: H^{\otimes_s k} \rightarrow H^{\otimes_s k}$ is the map introduced at the beginning of Section 7.*

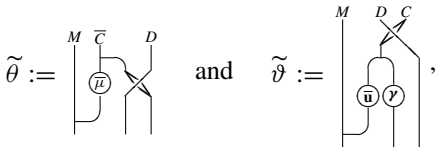
Proof. We make the proof by induction on s . The case $s = 1$ is trivial. Assume that the result is valid for s . Let $C_1 := H^{\otimes_s k}$ and $C_2 = H$. By the previous lemma the k -linear map

$\mu_E \circ ((\mu_s \circ u^{\otimes k}) \otimes_k u)$ is convolution invertible and its convolution inverse is $\mu_E \circ ((\mu_s \circ \bar{u}^{\otimes k} \circ \text{gc}_s) \otimes_k \bar{u}) \circ c_{s1}$. But, by [13, Corollary 4.21], we know that $H^{\otimes_c^{s+1}} = C_1 \otimes_{c_{s1}} C_2$ and $((\bar{u}^{\otimes k} \circ \text{gc}_s) \otimes_k \bar{u}) \circ c_{s1} = \bar{u}^{\otimes_{s+1}} \circ \text{gc}_{s+1}$. \square

Proof of Proposition 7.4. Let

$$\tilde{\theta}_{rs}: M \otimes_A \bar{C} \otimes_k D \rightarrow M \otimes_k D \otimes_k C \quad \text{and} \quad \tilde{\vartheta}_{rs}: M \otimes_k D \otimes_k C \rightarrow M \otimes_A \bar{C} \otimes_k D,$$

be the k -linear maps diagrammatically defined by



where

- $C := H^{\otimes_c^s}$, $\bar{C} = E^{\otimes_A^s}$ and $D := A^{\otimes_k^r}$,
- $\bar{\mu}$ is the map induced by $\mu_s: E^{\otimes_k^s} \rightarrow E$,
- $\gamma := \gamma^{\otimes_A^s}$ and $\bar{u} := \mu_s \circ \bar{\gamma}^{\otimes_k^s} \circ \text{gc}_s$.

It is easy to see that θ_{rs} and ϑ_{rs} are induced by $(-1)^{rs} \tilde{\theta}_{rs}$ and $(-1)^{rs} \tilde{\vartheta}_{rs}$, respectively. Hence in order to finish the proof we must see that $\tilde{\vartheta}_{rs} \circ \tilde{\theta}_{rs} = \text{id}$ and $\tilde{\theta}_{rs} \circ \tilde{\vartheta}_{rs} = \text{id}$. Let

$$L: \bar{C} \rightarrow E \otimes_k C \quad \text{and} \quad \bar{L}: C \rightarrow E \otimes_A \bar{C}$$

be the k -linear maps defined by

$$L := (\bar{\mu} \otimes_k D \otimes_k C) \circ (\nu_A \otimes_k C) \quad \text{and} \quad \bar{L} := (\mu_s \circ \bar{\gamma}^{\otimes_k^s} \circ \text{gc}_s \otimes_k \gamma^{\otimes_A^s}) \circ \Delta_C,$$

where ν_A is the coaction introduced in Remark 7.2. Clearly

$$\tilde{\theta} := (M \otimes_k s_{sr}) \circ (\tilde{\rho} \otimes_k C \otimes_k D) \circ (M \otimes_A L \otimes_k D)$$

and

$$\tilde{\vartheta} := (\tilde{\rho} \otimes_k C \otimes_k D) \circ (M \otimes_k \bar{L} \otimes_k D) \circ (M \otimes_k s_{sr}^{-1}),$$

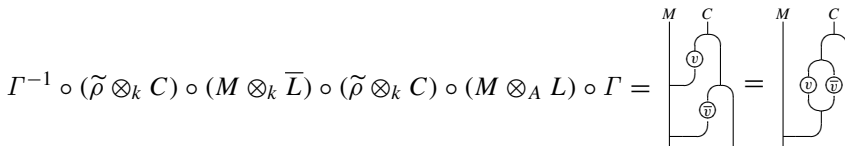
where $\tilde{\rho}$ denotes the right action of E on M . We will prove that $\tilde{\vartheta}_{rs} \circ \tilde{\theta}_{rs} = \text{id}$ and we leave the task to prove that $\tilde{\theta}_{rs} \circ \tilde{\vartheta}_{rs} = \text{id}$ to the reader. Let $\Gamma: M \otimes_k C \rightarrow M \otimes_A \bar{C}$ be the isomorphism given by $\Gamma(m \otimes_k \mathbf{h}_{1s}) = m \otimes_A \gamma_A(\mathbf{h}_{1s})$. Since

$$\tilde{\vartheta}_{rs} \circ \tilde{\theta}_{rs} = (\tilde{\rho} \otimes_k C) \circ (M \otimes_k \bar{L}) \circ (\tilde{\rho} \otimes_k C) \circ (M \otimes_A L) \otimes_k D$$

and

$$(M \otimes_A L) \circ \Gamma = (M \otimes_A \mu_s \circ \gamma^{\otimes_k^s} \otimes_k C) \circ (M \otimes_k \Delta_C),$$

we have



where $v := \mu_s \circ \gamma^{\otimes_k^s}$ and $\bar{v} := \mu_s \circ \bar{\gamma}^{\otimes_k^s} \circ \text{gc}_s$. To finish the proof it suffices to note that \bar{v} is the convolution inverse of v , by Lemma B.2. \square

Lemma B.3. Let $s, r \in \mathbb{N}$. For $C := H^{\otimes_s c}$ and $D := A^{\otimes_k r}$, the equality

$$\begin{array}{c} C \ D \\ \diagdown \ / \\ \diagup \ \diagdown \\ \diagup \ \diagdown \\ \diagdown \ / \\ \diagup \ \diagdown \end{array} = \begin{array}{c} C \ D \\ | \ | \\ \diagdown \ / \\ \diagup \ \diagdown \\ \diagup \ \diagdown \\ \diagdown \ / \\ \diagup \ \diagdown \end{array}$$

is true.

Proof. When $s = r = 1$, the formula is true by definition. Assume that $r > 1$ and that the formula is valid for H and $D' := A^{\otimes_{r-1}}$. Let $D := A^{\otimes_r}$. We have

$$\begin{array}{c} H \ D \\ \diagdown \ / \\ \diagup \ \diagdown \\ \diagup \ \diagdown \\ \diagdown \ / \\ \diagup \ \diagdown \end{array} = \begin{array}{c} H \ D' \ A \\ \diagdown \ / \\ \diagup \ \diagdown \\ \diagup \ \diagdown \\ \diagdown \ / \\ \diagup \ \diagdown \end{array} = \begin{array}{c} H \ D' \ A \\ | \ | \\ \diagdown \ / \\ \diagup \ \diagdown \\ \diagup \ \diagdown \\ \diagdown \ / \\ \diagup \ \diagdown \end{array} = \begin{array}{c} H \ D' \ A \\ \diagdown \ / \\ \diagup \ \diagdown \\ \diagup \ \diagdown \\ \diagdown \ / \\ \diagup \ \diagdown \end{array} = \begin{array}{c} H \ A \ D' \\ \diagdown \ / \\ \diagup \ \diagdown \\ \diagup \ \diagdown \\ \diagdown \ / \\ \diagup \ \diagdown \end{array} = \begin{array}{c} H \ D \\ | \ | \\ \diagdown \ / \\ \diagup \ \diagdown \\ \diagup \ \diagdown \\ \diagdown \ / \\ \diagup \ \diagdown \end{array} .$$

Assume finally that $s > 1$ and the formula is valid for $C' := H^{\otimes_{s-1}}$ and $D := A^{\otimes_r}$. Then, we have

$$\begin{array}{c} C \ D \\ \diagdown \ / \\ \diagup \ \diagdown \\ \diagup \ \diagdown \\ \diagdown \ / \\ \diagup \ \diagdown \end{array} = \begin{array}{c} H \ C' \ D \\ \diagdown \ / \\ \diagup \ \diagdown \\ \diagup \ \diagdown \\ \diagdown \ / \\ \diagup \ \diagdown \end{array} = \begin{array}{c} H \ C' \ D \\ | \ | \\ \diagdown \ / \\ \diagup \ \diagdown \\ \diagup \ \diagdown \\ \diagdown \ / \\ \diagup \ \diagdown \end{array} = \begin{array}{c} H \ C' \ D \\ \diagdown \ / \\ \diagup \ \diagdown \\ \diagup \ \diagdown \\ \diagdown \ / \\ \diagup \ \diagdown \end{array} = \begin{array}{c} C \ D \\ | \ | \\ \diagdown \ / \\ \diagup \ \diagdown \\ \diagup \ \diagdown \\ \diagdown \ / \\ \diagup \ \diagdown \end{array} ,$$

where $C := H^{\otimes_s c}$. \square

Lemma B.4. Let $s, r \in \mathbb{N}$. For $C := H^{\otimes_s c}$ and $D := A^{\otimes_k r}$, the equality

$$\begin{array}{c} D \ C \\ \diagdown \ / \\ \diagup \ \diagdown \\ \diagup \ \diagdown \\ \diagdown \ / \\ \diagup \ \diagdown \end{array} = \begin{array}{c} D \ C \\ | \ | \\ \diagdown \ / \\ \diagup \ \diagdown \\ \diagup \ \diagdown \\ \diagdown \ / \\ \diagup \ \diagdown \end{array}$$

is true.

Proof. In fact, we have

$$\begin{array}{c} D \ C \\ \diagdown \ / \\ \diagup \ \diagdown \\ \diagup \ \diagdown \\ \diagdown \ / \\ \diagup \ \diagdown \end{array} = \begin{array}{c} D \ C \\ | \ | \\ \diagdown \ / \\ \diagup \ \diagdown \\ \diagup \ \diagdown \\ \diagdown \ / \\ \diagup \ \diagdown \end{array} = \begin{array}{c} D \ C \\ \diagdown \ / \\ \diagup \ \diagdown \\ \diagup \ \diagdown \\ \diagdown \ / \\ \diagup \ \diagdown \end{array} = \begin{array}{c} D \ C \\ | \ | \\ \diagdown \ / \\ \diagup \ \diagdown \\ \diagup \ \diagdown \\ \diagdown \ / \\ \diagup \ \diagdown \end{array} = \begin{array}{c} D \ C \\ \diagdown \ / \\ \diagup \ \diagdown \\ \diagup \ \diagdown \\ \diagdown \ / \\ \diagup \ \diagdown \end{array} ,$$

where the first equality follows from Lemma B.3. \square

Proof of Theorem 7.6. By Remark 7.11, the map

$$\theta_* : (\widehat{X}_*(M), \widehat{d}_*) \rightarrow (\overline{X}_*(M), \overline{d}_*)$$

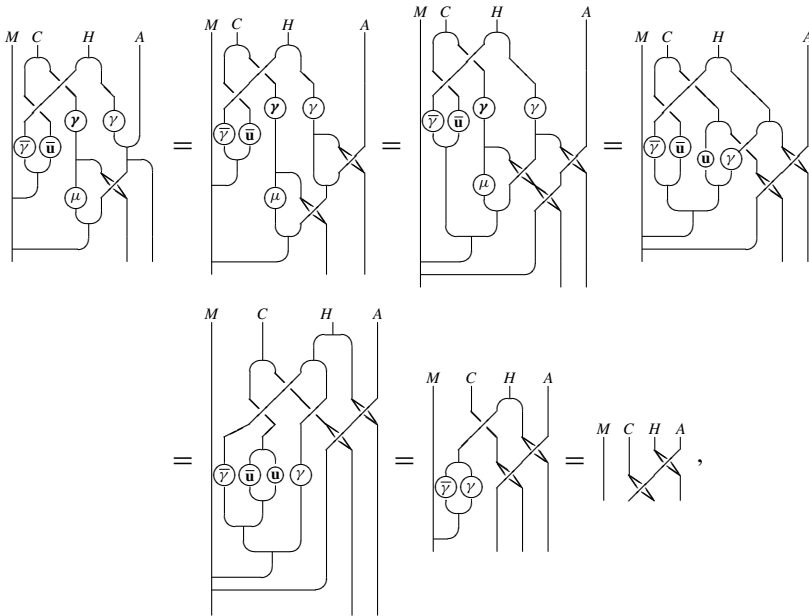
is an isomorphism of chain complexes. Hence, by the discussion at the beginning of Section 3, the homology of $(\overline{X}_*(M), \overline{d}_*)$ is the Hochschild homology of the K -algebra E with coefficients in M . In order to complete the proof we must compute \overline{d}^0 and \overline{d}^1 . First we consider the map \overline{d}^0 . Let

$$\widetilde{v}_i : M \otimes_A E^{\otimes_A s} \otimes_k A^{\otimes_k r} \rightarrow M \otimes_A E^{\otimes_A s} \otimes_k A^{\otimes_k r-1} \quad (0 \leq i \leq r)$$

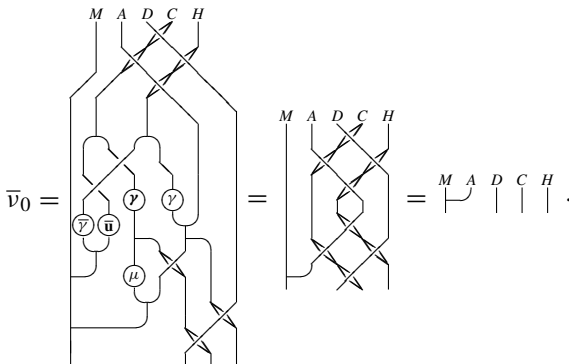
be the morphisms defined by

$$\tilde{v}_i(m \otimes_A \bar{x}_{1s} \otimes \mathbf{a}_{1r}) := \begin{cases} m \otimes_A \bar{x}_{1,s-1} \otimes_A x_s a \otimes \mathbf{a}_{2r} & \text{if } i = 0, \\ m \otimes_A \bar{x}_{1s} \otimes \mathbf{a}_{1,i-1} \otimes a_i a_{i+1} \otimes \mathbf{a}_{i+2,r} & \text{if } 0 < i < r, \\ a_r m \otimes_A \bar{x}_{1s} \otimes \mathbf{a}_{1,r-1} & \text{if } i = r. \end{cases}$$

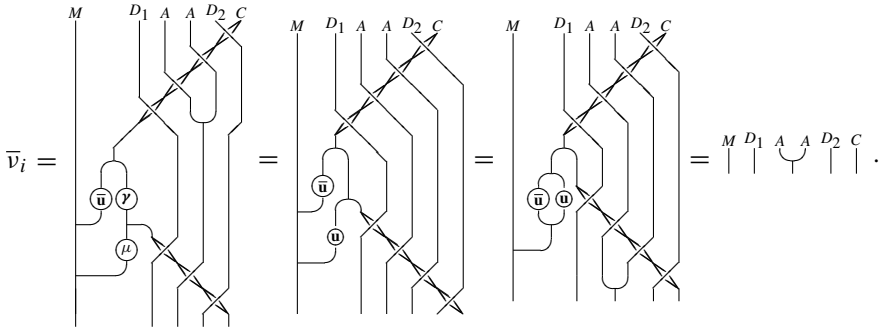
For $0 \leq i \leq r$, set $\bar{v}_i := \tilde{\theta} \circ \tilde{v}_i \circ \tilde{\vartheta}$, where $\tilde{\theta}$ and $\tilde{\vartheta}$ are as in the proof of Proposition 7.4. By item (1) of Theorem 3.6 we know that \tilde{d}^0 is induced by $\sum_{i=0}^r (-1)^i \tilde{v}_i$. Hence, \bar{d}^0 is induced by $\sum_{i=0}^r (-1)^{s+i} \bar{v}_i$. So, in order to complete the computation of \bar{d}^0 it is enough to calculate the \bar{v}_i 's. We begin with the computation of \bar{v}_0 . Let $C := H^{\otimes_c^{s-1}}$, $D := A^{\otimes_k^{r-1}}$, $\gamma := \gamma^{\otimes_k^{s-1}}$, $\mu := \mu_{s-1}$, $\mathbf{u} := \mu \circ \gamma$ and $\bar{\mathbf{u}} := \mu \circ \bar{\gamma}^{\otimes_k^{s-1}} \circ \text{gc}_{s-1}$. Since, by Lemma B.2,



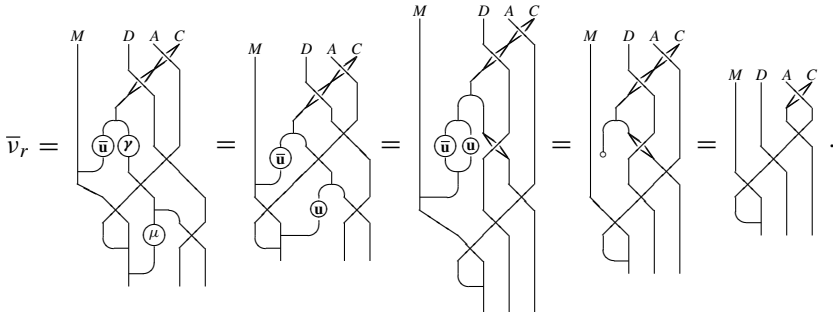
we have



Now, we compute \bar{v}_i for $0 < i < r$. Let $D_1 := A^{\otimes_k^{i-1}}$, $D_2 := A^{\otimes_k^{r-i-1}}$, $C := H^{\otimes_c^s}$, $\gamma := \gamma^{\otimes_k^s}$, $\mu := \mu_s$, $\mathbf{u} := \mu \circ \gamma$ and $\bar{\mathbf{u}} := \mu \circ \bar{\gamma}^{\otimes_k^s} \circ \text{gc}_s$. By Lemma B.2



It remains to compute \bar{v}_r . Let $D := A^{\otimes_k^{r-1}}$, $C := H^{\otimes_c^s}$, $\gamma := \gamma^{\otimes_k^s}$, $\mu := \mu_s$, $\mathbf{u} := \mu \circ \gamma$ and $\bar{\mathbf{u}} := \mu \circ \bar{\gamma}^{\otimes_k^s} \circ \text{gc}_s$. By Lemma B.2,



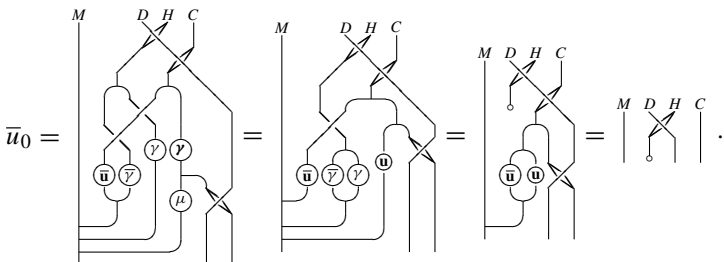
We next compute \bar{d}^{-1} . Let

$$\tilde{u}_i : M \otimes_A E^{\otimes_A^s} \otimes_k A^{\otimes_k^i} \rightarrow M \otimes_A E^{\otimes_A^{s-1}} \otimes_k A^{\otimes_k^i} \quad (0 \leq i \leq s)$$

be as above Notations 3.5. We set

$$\bar{u}_i := \tilde{\theta} \circ \tilde{u}_i \circ \tilde{\vartheta} \quad \text{for } 0 \leq i \leq s.$$

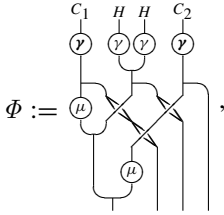
By item (2) of Theorem 3.6 we know that \hat{d}^1 is induced by $\sum_{i=0}^s (-1)^i \tilde{u}_i$. Hence, \bar{d}^1 is induced by $\sum_{i=0}^s (-1)^{r+i} \bar{u}_i$. So, in order to complete the computation of \bar{d}^1 , we must calculate the \bar{u}_i 's. We begin with \bar{u}_0 . Let $D := A^{\otimes_k^r}$, $C := H^{\otimes_c^{s-1}}$, $\mu := \mu_{s-1}$, $\mathbf{u} := \mu \circ \gamma^{\otimes_k^{s-1}}$ and $\bar{\mathbf{u}} := \mu \circ \bar{\gamma}^{\otimes_k^{s-1}} \circ \text{gc}_{s-1}$. Again by Lemma B.2,



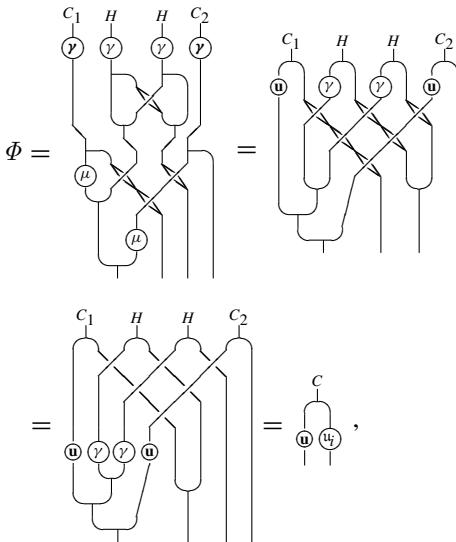
Now, we compute \bar{u}_i for $0 < i < s$. Let $C_1 := H^{\otimes_c^{i-1}}$ and $C_2 := H^{\otimes_c^{s-i-1}}$. Consider the map

$$\Phi: H^{\otimes_c^s} \longrightarrow A \otimes_k H^{\otimes_c^{s-1}},$$

diagrammatically defined by



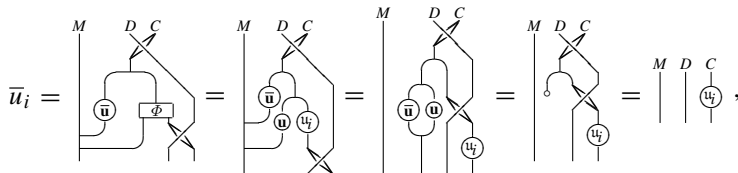
where γ denotes both $\gamma^{\otimes_k^{i-1}}$ and $\gamma^{\otimes_k^{s-i-1}}$, and μ denotes both μ_{i-1} and μ_{s-i-1} . Since



where $C := H^{\otimes_c^s}$, $u_i: H^{\otimes_c^s} \longrightarrow H^{\otimes_c^{s-1}}$ is the map given by

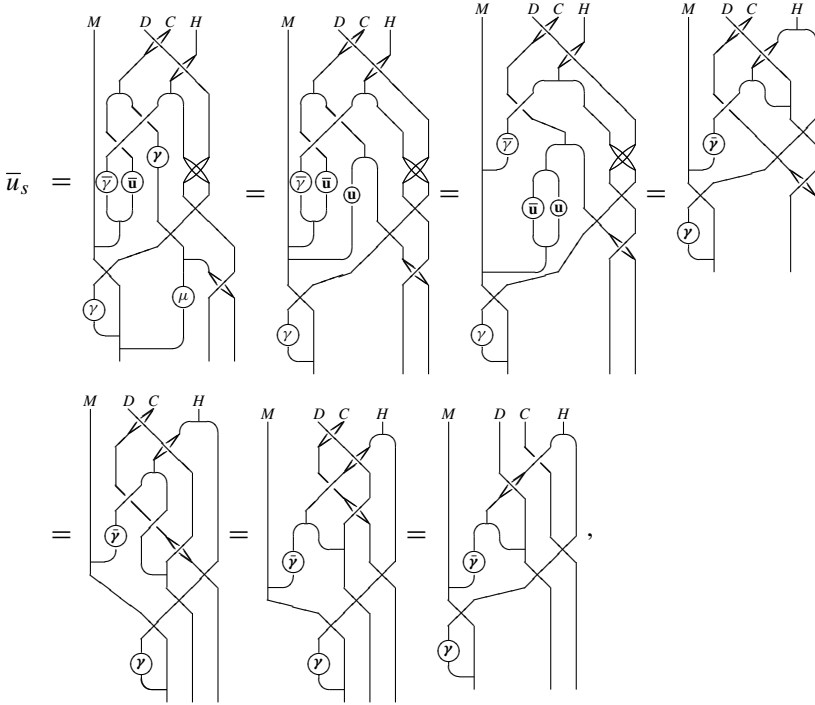
$$u_i(\mathbf{h}_{1s}) := \mathbf{h}_{1,i-1} \otimes_k h_i h_{i+1} \otimes_k \mathbf{h}_{i+2,s}$$

and \mathbf{u} denotes $\mu_{i-1} \circ \gamma^{\otimes_k^{i-1}}$, $\mu_{s-i-1} \circ \gamma^{\otimes_k^{s-i-1}}$ and $\mu_s \circ \gamma^{\otimes_k^s}$, we have



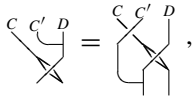
where $D := A^{\otimes_k^i}$ and $\bar{\mathbf{u}} := \mu_s \circ \bar{\gamma}^{\otimes_k^s} \circ \text{gc}_s$, again by Lemma B.2. Finally, we compute \bar{u}_s . Let $C := H^{\otimes_k^{s-1}}$, $D := A^{\otimes_k^s}$, $\mathbf{u} := \mu_{s-1} \circ \gamma^{\otimes_k^{s-1}}$ and $\bar{\mathbf{u}} := \mu_{s-1} \circ \bar{\gamma}^{\otimes_k^{s-1}} \circ \text{gc}_{s-1}$. Again by Lemmas B.2

and B.4,



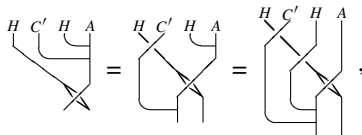
which finishes the proof. \square

Lemma B.5. *We have*

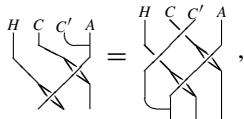


where $C := H^{\otimes_s c}$, $C' := H^{\otimes_{c'} s'}$ and $D := A^{\otimes r}$.

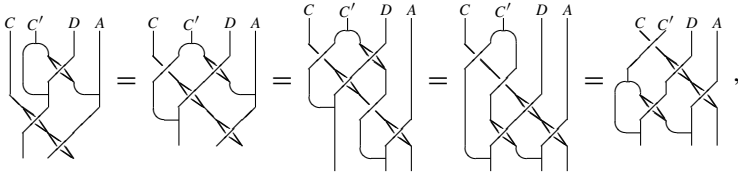
Proof. For $s = s' = r = 1$ the result is valid by definition. An inductive argument using



shows that the result is valid when $s = r = 1$ and $s' \in \mathbb{N}$. A similar argument using the equality

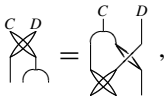


shows that the result is valid when $r = 1$ and $s, s' \in \mathbb{N}$. Finally, again an inductive argument using



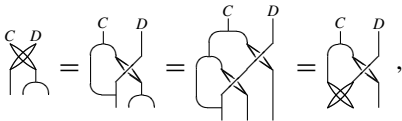
completes the proof. \square

Lemma B.6. *The following equality holds:*



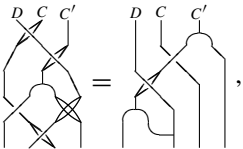
where $C := H^{\otimes_c^n}$ and $D := A^{\otimes_k}$.

Proof. In fact,



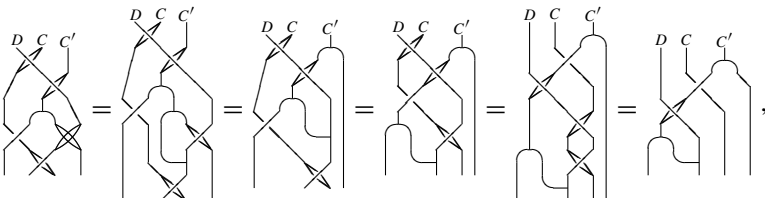
where the first and last equalities follow from Lemma B.3. \square

Lemma B.7. *We have*



where $C := H^{\otimes_c^s}$, $C' := H^{\otimes_{c'}^{s'}}$ and $D := A^{\otimes_k^r}$.

Proof. In fact, we have



where the first equality follows from Lemma B.3, and the third one follows from Lemma B.5. \square

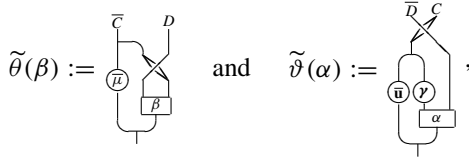
Let

$$\tilde{\vartheta}^{r,s} : \text{Hom}_{(A,E)}(E^{\otimes_A^s} \otimes A^{\otimes^r}, E) \rightarrow \text{Hom}_{K^e}(A^{\otimes^r} \otimes_k H^{\otimes_k^s}, E)$$

and

$$\tilde{\theta}^{r,s} : \text{Hom}_{K^e}(A^{\otimes r} \otimes_k H^{\otimes_k^s}, E) \rightarrow \text{Hom}_{(A,E)}(E^{\otimes_A^s} \otimes A^{\otimes r}, E)$$

be the k -linear maps diagrammatically defined by



where

- $C := \overline{H}^{\otimes_c^s}$, $\overline{C} := (E/A)^{\otimes_A^s}$ and $D := \overline{A}^{\otimes_k^r}$,
- $\overline{\mu}$ is the map induced by $\mu_s : E^{\otimes_k^s} \rightarrow E$,
- $\gamma := \gamma^{\otimes_A^s}$ and $\overline{u} := \mu_s \circ \overline{\gamma}^{\otimes_k^s} \circ \text{gc}_s$.

It is easy to see that $\theta^{r,s}$ and $\vartheta^{r,s}$ are induced by $(-1)^{rs}\tilde{\theta}^{r,s}$ and $(-1)^{rs}\tilde{\vartheta}^{r,s}$, respectively.

Definition B.8. For

$$\alpha \in \text{Hom}_{(A,E)}(E^{\otimes_A^s} \otimes A^{\otimes r}, E) \quad \text{and} \quad \alpha' \in \text{Hom}_{(A,E)}(E^{\otimes_A^{s'}} \otimes A^{\otimes r'}, E)$$

we define

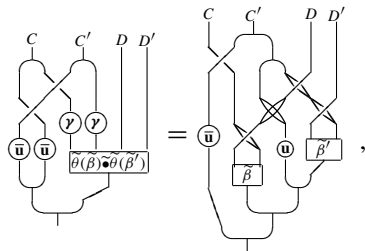
$$\alpha \tilde{\bullet} \alpha' \in \text{Hom}_{(A,E)}(E^{\otimes_A^{s''}} \otimes A^{\otimes r''}, E)$$

by

$$(\alpha \tilde{\bullet} \alpha')(\gamma_A(\mathbf{v}_{1s''}) \otimes \mathbf{a}_{1r''}) := \sum_i \alpha(\gamma_A(\mathbf{v}_{1s}) \otimes \mathbf{a}_{1r}^{(i)}) \alpha'(\gamma_A(\mathbf{v}_{s+1,s''}) \otimes \mathbf{a}_{r+1,r''}^{(i)}),$$

where $r'' := r + r'$, $s'' := s + s'$ and $\sum_i \mathbf{a}_{1r}^{(i)} \otimes_k \mathbf{v}_{s+1,s''}^{(i)} := \overline{\chi}(\mathbf{v}_{s+1,s''} \otimes \mathbf{a}_{1r})$.

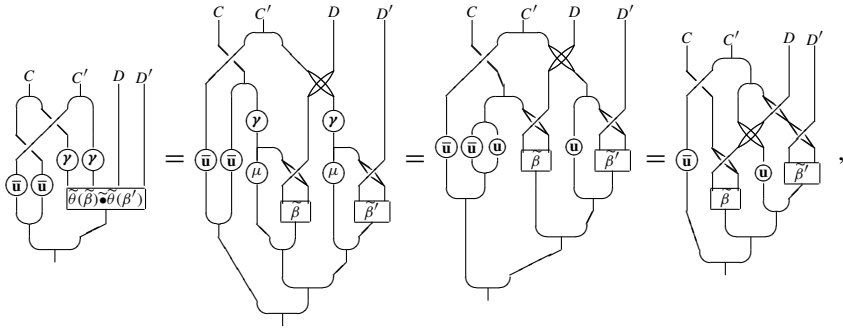
Lemma B.9. Let $C := H^{\otimes_c^s}$, $C' := H^{\otimes_c^{s'}}$, $D := A^{\otimes_k^r}$ and $D' := A^{\otimes_k^{r'}}$. We have



where

- γ denotes the maps $\gamma^{\otimes_k^s}$, $\gamma^{\otimes_k^{s'}}$, $\gamma^{\otimes_A^s}$ and $\gamma^{\otimes_A^{s'}}$,
- μ denotes the maps μ_s and $\mu_{s'}$,
- $\mathbf{u} := \mu_{s'} \circ \gamma^{\otimes_k^{s'}}$ and $\overline{\mathbf{u}}$ denotes both the maps $\mu_s \circ \overline{\gamma}^{\otimes_k^s} \circ \text{gc}_s$ and $\mu_{s'} \circ \overline{\gamma}^{\otimes_k^{s'}} \circ \text{gc}_{s'}$.

Proof. In fact,



where the first equality follows from the definition of $\tilde{\theta}(\tilde{\beta}) \bullet \tilde{\theta}(\tilde{\beta}')$, the second one, from Lemma B.6, and the third one, from Lemma B.2. \square

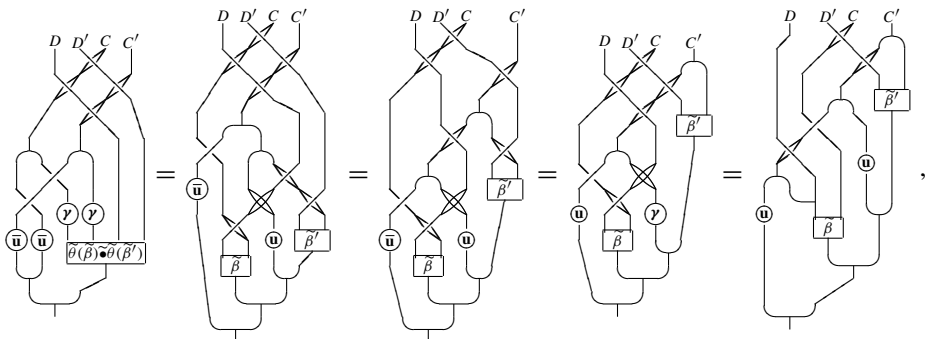
Proof of Proposition 9.5. Let $C := H^{\otimes_s}$, $C' := H^{\otimes_{s'}}$, $D := A^{\otimes_k}$ and $D' := A^{\otimes_{k'}}$ and let

$$\tilde{\beta}: D \otimes_k C \rightarrow E \quad \text{and} \quad \tilde{\beta}': D' \otimes_{k'} C' \rightarrow E$$

be the maps induced by β and β' , respectively. Let

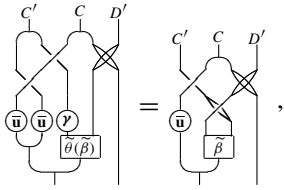
- γ denote both the maps $\gamma^{\otimes_s A}$ and $\gamma^{\otimes_{s'} A}$,
- μ denote both the maps μ_s and $\mu_{s'}$,
- \mathbf{u} denote the map $\mu_{s'} \circ \gamma^{\otimes_{k'} s'}$,
- $\bar{\mathbf{u}}$ denote both the maps $\mu_s \circ \bar{\gamma}^{\otimes_k s} \circ \text{gc}_s$ and $\mu_{s'} \circ \bar{\gamma}^{\otimes_{k'} s'} \circ \text{gc}_{s'}$.

We have



where the first equality follows from Lemma B.9, the second and third ones are easy to check (and left to the reader), and the last one follows from Lemma B.7. So, in order to finish the proof it suffices to note that the first diagram represents $\tilde{\vartheta}(\tilde{\theta}(\tilde{\beta}) \bullet \tilde{\theta}(\tilde{\beta}'))$ and that this map induces $(-1)^{rs'} \vartheta(\theta(\beta) \bullet \theta(\beta'))$. \square

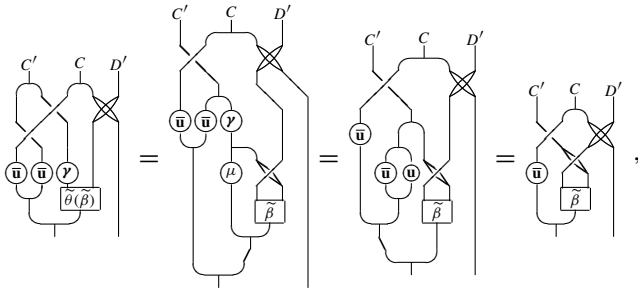
Lemma B.10. Let $C := H^{\otimes_c^s}$, $C' := H^{\otimes_{c'}^{s'}}$ and $D := A^{\otimes_k^r}$. We have:



where

- γ denotes the maps $\gamma^{\otimes_k^{s'}}$ and $\gamma^{\otimes_A^{s'}}$,
- μ denotes the map $\mu_{s'}$,
- $u := \mu_{s'} \circ \gamma^{\otimes_k^{s'}}$ and \bar{u} denotes both the maps $\mu_s \circ \bar{\gamma}^{\otimes_k^s} \circ \text{gc}_s$ and $\mu_{s'} \circ \bar{\gamma}^{\otimes_k^{s'}} \circ \text{gc}_{s'}$.

Proof. By the definition of $\tilde{\theta}$ and Lemma B.2,



as desired. \square

Definition B.11. Let $r' \leq r$ and $s' \leq s$. For

$$m \otimes_A \bar{\mathbf{a}}_{1s} \otimes \mathbf{a}_{1r} \in M \otimes_A E^{\otimes_A^s} \otimes A^{\otimes^r} \quad \text{and} \quad \alpha \in \text{Hom}_{(A,E)}(E^{\otimes_A^{s'}} \otimes A^{\otimes^{r'}}, E),$$

we define

$$(m \otimes_A \gamma_A(\mathbf{v}_{1s}) \otimes \mathbf{a}_{1r}) \bullet \tilde{\alpha} \in M \otimes_A E^{\otimes_A^{s-s'}} \otimes A^{\otimes^{r-r'}}$$

by

$$(m \otimes_A \gamma_A(\mathbf{v}_{1s}) \otimes \mathbf{a}_{1r}) \bullet \tilde{\alpha} := \sum_i m \alpha(\gamma_A(\mathbf{v}_{1s'}) \otimes \mathbf{a}_{1r'}^{(i)}) \otimes_A \gamma_A(\mathbf{v}_{s'+1,s}^{(i)}) \otimes \mathbf{a}_{r'+1,r},$$

where $\sum_i \mathbf{a}_{1r'}^{(i)} \otimes_k \mathbf{v}_{s'+1,s}^{(i)} := \bar{\chi}(\mathbf{v}_{s'+1,s} \otimes \mathbf{a}_{1r'})$.

Proof of Proposition 9.9. The case $s < s'$ or $r < r'$ is trivial. Assume that $s' \leq s$ and $r' \leq r$.

Let $C := H^{\otimes_c^s}$, $C' := H^{\otimes_{c'}^{s'}}$, $D := A^{\otimes_k^r}$ and $D' := A^{\otimes_{k'}^{r'}}$ and let

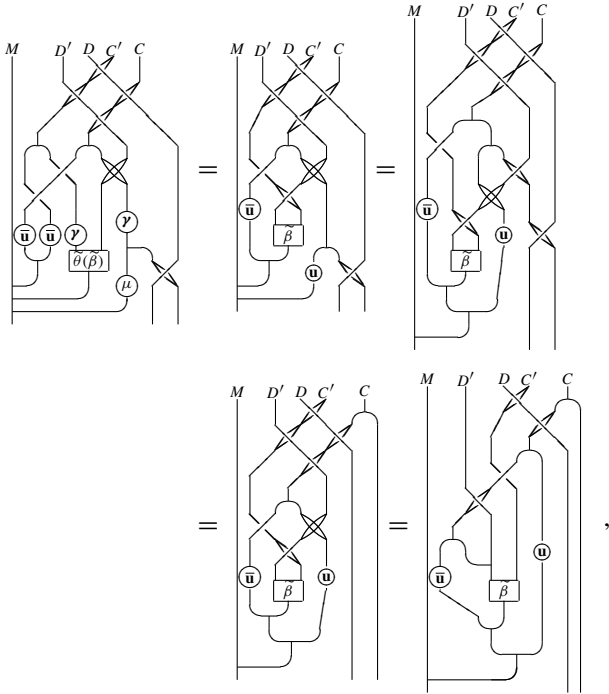
$$\tilde{\beta}: D \otimes_k C \rightarrow E$$

be the map induced by β . Let

- γ denote both the maps $\gamma^{\otimes_k^s}$ and $\gamma^{\otimes_A^{s'}}$,
- μ denote the map μ_s ,

- \mathbf{u} denote the map $\mu_s \circ \gamma^{\otimes k}$,
- $\bar{\mathbf{u}}$ denote both the maps $\mu_s \circ \bar{\gamma}^{\otimes k} \circ \text{gc}_s$ and $\mu_{s'} \circ \bar{\gamma}^{\otimes k'} \circ \text{gc}_{s'}$.

A direct computation shows that



where the first equality follows from Lemma B.10, the second one from Lemma B.6, the third and fourth ones are easy to check (and left to the reader), and the last one follows from Lemma B.7. Since the first diagram represents the map

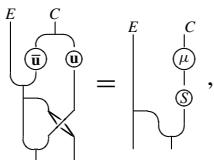
$$\begin{aligned} \bar{X}_{rs}(M) &\longrightarrow \bar{X}_{r-r',s-s'}(M) \\ [m \otimes \mathbf{a}_{1r}]_H \otimes_k \mathbf{h}_{1s} &\longmapsto \tilde{\theta}(\tilde{\vartheta}([m \otimes \mathbf{a}_{1r}]_H \otimes_k \mathbf{h}_{1s}) \bullet \tilde{\theta}(\tilde{\beta})), \end{aligned}$$

and this map induces $(-1)^{r'(s-s')}$ times the morphism

$$\begin{aligned} \bar{X}_{rs}(M) &\longrightarrow \bar{X}_{r-r',s-s'}(M) \\ [m \otimes \mathbf{a}_{1r}]_H \otimes_k \mathbf{h}_{1s} &\longmapsto ([m \otimes \mathbf{a}_{1r}]_H \otimes_k \mathbf{h}_{1s}) \star \beta, \end{aligned}$$

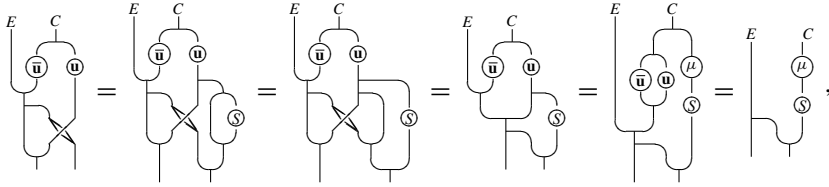
this finishes the proof. \square

Lemma B.12. Let $C := H^{\otimes j}$. We have



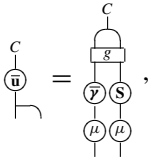
where $\mu := \mu_j$, $\mathbf{u} := \mu \circ \gamma^{\otimes j}$ and $\bar{\mathbf{u}} := \mu \circ \bar{\gamma}^{\otimes j} \circ \text{gc}_j$.

Proof. In fact, by Lemma B.2,



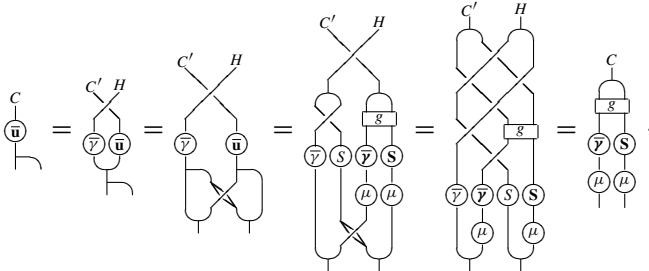
as desired. \square

Lemma B.13. Let $C := H^{\otimes_c^n}$. We have



where g is the map gc_{2n} , $S := S^{\otimes_k^n}$, $\mu := \mu_n$, $\bar{y} := \bar{y}^{\otimes_k^n}$ and $\bar{u} := \mu \circ \bar{y} \circ gc_n$.

Proof. We proceed by induction on n . The case $n = 1$ follows from [13, Lemma 10.7(2)]. Assume $n > 1$ and let $C' := H^{\otimes_{c'}^{n-1}}$. Then,



where the third equality follows from the inductive hypothesis and [13, Lemma 10.7(2)], the fourth one follows from [13, Proposition 4.3] and [13, Lemma 10.7(2)], and the fifth one, from the definition of Δ_C and [13, Corollary 4.21]. \square

Proof of Theorem 10.2. For $0 \leq j \leq s$, let

$$\tau_j : E \otimes_A E^{\otimes_A^s} \otimes_k \bar{A}^{\otimes_k^r} \rightarrow E \otimes_A E^{\otimes_A^{s+1}} \otimes_k \bar{A}^{\otimes_k^r}$$

be the map defined by

$$\tau_j(a_0\gamma_A(\mathbf{v}_{0s}) \otimes \mathbf{a}_{1r}) := \sum_l 1 \otimes_A \gamma_A(\mathbf{v}_{j+1,s}^{(l)}) \otimes_A a_0\gamma_A(\mathbf{v}_0j) \otimes \mathbf{a}_{1r}^{(l)},$$

where $\sum \mathbf{a}_{1r}^{(l)} \otimes_k \mathbf{v}_{j+1,s}^{(l)} := \bar{\chi}(\mathbf{v}_{j+1,s} \otimes_k \mathbf{a}_{1r})$, and let $\widehat{\tau}_j : \widehat{X}_{rs} \rightarrow \widehat{X}_{r,s+1}$ be the map induced by τ_j . By Proposition 6.4 we know that

$$\widehat{D}([a_0\gamma_A(\mathbf{v}_{0s}) \otimes \mathbf{a}_{1r}]) = \sum_{j=0}^s (-1)^{s+j} \widehat{\tau}_j([a_0\gamma_A(\mathbf{v}_{0s}) \otimes \mathbf{a}_{1r}])$$

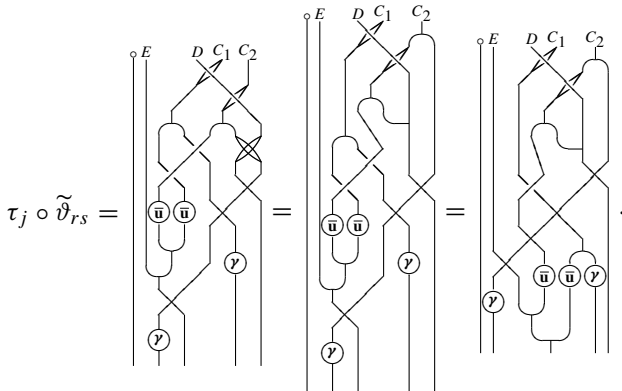
modulo $F_R^s(\widehat{X}_{r+s})$. Hence

$$\overline{D}([a_0\gamma(h_0) \otimes \mathbf{a}_{1r}]_H \otimes_k \mathbf{h}_{1s}) = \sum_{j=0}^s (-1)^{s+j} \theta \circ \widehat{\tau}_j \circ \vartheta ([a_0\gamma(h_0) \otimes \mathbf{a}_{1r}]_H \otimes_k \mathbf{h}_{1s})$$

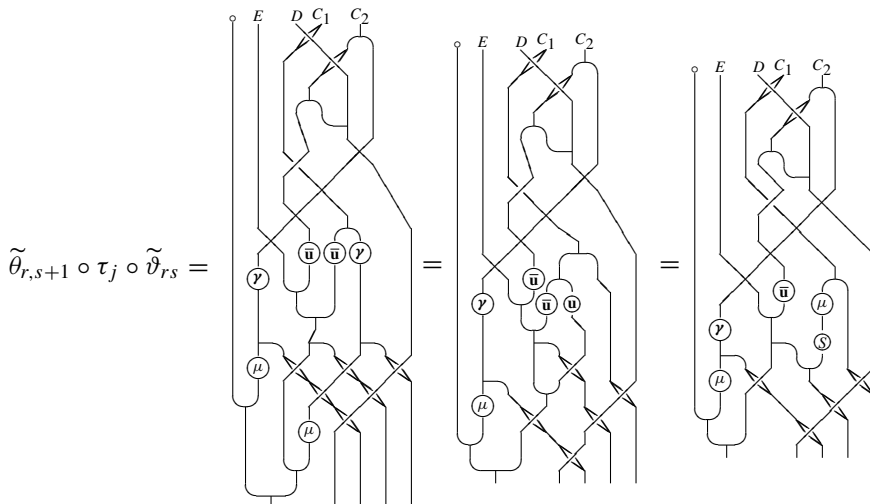
modulo $F_R^s(\overline{X}_{n+1})$. Now, since $\theta_{r,s+1} \circ \widehat{\tau}_j \circ \vartheta_{rs}$ is induced by $(-1)^r \widetilde{\theta}_{r,s+1} \circ \tau_j \circ \widetilde{\vartheta}_{rs}$, in order to finish the proof we must show that $\widetilde{\tau}_j = \widetilde{\theta}_{r,s+1} \circ \tau_j \circ \widetilde{\vartheta}_{rs}$. In the sequel

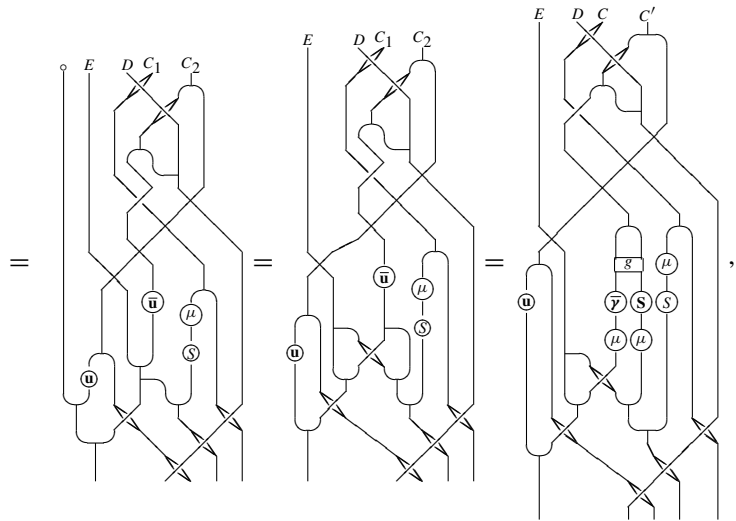
- γ denotes the maps $\gamma^{\otimes_j_k}, \gamma^{\otimes_{s-j}_k}, \gamma^{\otimes_j_A}$ and $\gamma^{\otimes_{s-j}_A}$, and $\overline{\gamma}$ denotes $\overline{\gamma}^{\otimes_{s-j}_k}$,
- μ denotes both the maps μ_j and μ_{s-j} ,
- \mathbf{u} denotes both the maps $\mu_j \circ \gamma^{\otimes_j_k}$ and $\mu_{s-j} \circ \gamma^{\otimes_{s-j}_k}$,
- $\overline{\mathbf{u}}$ denotes both the maps $\mu_j \circ \overline{\gamma}^{\otimes_j_k} \circ \text{gc}_j$ and $\mu_{s-j} \circ \overline{\gamma}^{\otimes_{s-j}_k} \circ \text{gc}_{s-j}$,
- g denotes the map gc_{2s-2j} introduced in item (5) of Section 7,
- \mathbf{S} denotes the map $\mathbf{S}^{\otimes_{s-j}_k}$.

Let $D := A^{\otimes_r_k}, C_1 := H^{\otimes_j_c}$ and $C_2 := H^{\otimes_{s-j}_c}$. By Lemma B.4



Consequently, by Lemmas B.12 and B.13,





as desired. \square

References

- [1] R. Akbarpour, M. Khalkhali, Hopf algebra equivariant cyclic homology and cyclic homology of crossed product algebras, *J. Reine Angew. Math.* 559 (2003) 137–152.
- [2] Y. Bespalov, B. Drabant, Cross products bialgebras, Part II, *J. Algebra* 240 (2001) 445–504.
- [3] R.J. Blattner, M. Cohen, S. Montgomery, Crossed products and inner actions of Hopf algebras, *Trans. Amer. Math. Soc.* 298 (1986) 671–711.
- [4] P. Bonneau, M. Gerstenhaber, A. Giaquinto, D. Sternheimer, Quantum groups and deformation quantization: explicit approaches and implicit aspects, *J. Math. Phys.* 45 (2004) 3703–3741.
- [5] P. Bonneau, D. Sternheimer, Topological Hopf algebras, quantum groups and deformation quantization, *Lect. Notes Pure Appl. Math.* 239 (2005) 55–70.
- [6] D. Burghelea, Cyclic homology and algebraic K -theory of spaces I, in: Boulder Colorado 1983, *Contemp. Math.* 55 (1986) 89–115.
- [7] T. Brzeziński, Crossed products by a coalgebra, *Comm. Algebra* 25 (1997) 3551–3575.
- [8] G. Carboni, J.A. Guccione, J.J. Guccione, Cyclic homology of crossed products, *Adv. Math.* 223 (2010) 840–872.
- [9] M. Crainic, On the perturbation lemma, and deformations, [arXiv:Math.AT/0403266](https://arxiv.org/abs/math/0403266), 2004.
- [10] Y. Doi, M. Takeuchi, Cleft comodule algebras by a bialgebra, *Comm. Algebra* 14 (1986) 801–817.
- [11] B.L. Feigin, B.L. Tsygan, Additive K -Theory, K -Theory, Arithmetic and Geometry, (Moscow, 1984–1986), in: *Lecture Notes in Mathematics*, vol. 1289, Springer, Berlin, 1987, pp. 67–209.
- [12] J.A. Guccione, J.J. Guccione, Hochschild homology of twisted tensor products, *K-Theory* 18 (1999) 363–400.
- [13] J.A. Guccione, J.J. Guccione, Theory of braided Hopf crossed products, *J. Algebra* 261 (1) (2003) 54–101.
- [14] J.A. Guccione, J.J. Guccione, Hochschild (co)homology of Hopf crossed products, *K-Theory* 25 (2002) 138–169.
- [15] E. Getzler, J.D. Jones, The cyclic homology of crossed product algebras, *J. Reine Angew. Math.* 445 (1993) 161–174.
- [16] M. Gerstenhaber, S.D. Schack, Relative Hochschild cohomology, rigid algebras and the Bockstein, *J. Pure Appl. Algebra* 43 (1986) 53–74.
- [17] G. Hochschild, J.P. Serre, Cohomology of group extensions, *Trans. Amer. Math. Soc.* 74 (1953) 110–134.
- [18] P. Jara, D. Stefan, Hopf cyclic homology and relative cyclic homology of Hopf Galois extensions, *Proc. Lond. Math. Soc.* 93 (3) (2006) 138–174.
- [19] C. Kassel, Cyclic homology, comodules and mixed complexes, *J. Algebra* 107 (1987) 195–216.
- [20] M. Khalkhali, B. Rangipour, On the cyclic homology of Hopf crossed products, *Fields Inst. Commun.* 43 (2004) 341–351.
- [21] S. Majid, Algebras and Hopf Algebras in Braided Categories, in: *Marcel Dekker L. N. in Math.*, vol. 158, 1994, pp. 55–105.

- [22] V. Nistor, Group cohomology and the cyclic cohomology of crossed products, *Invent. Math.* 99 (1990) 411–424.
- [23] M. Takeuchi, Survey of braided Hopf algebras, *Contemp. Math.* 267 (2000) 301–323.
- [24] Jiao Zang, Naihong Hu, Cyclic homology of strong smash product algebras, *J. Reine Angew. Math.* 663 (2012) 177–207.